



SOYLU PLAYGROUND EQUIPMENTS

play

g r o u n d

EQUIPMENTS





SOYLU GRUP PARK AND CITY FURNITURE

Our valuable customer; first of all, thank you for sparing time to look over our catalogue.

Our company was founded in 1973. During our 46 years of history, we have been working in a quality-focused and customer satisfaction-focused way, and thanks to this we have been able to keep our success all the time.

Almost all of the products, presented in our 2010-2011 Soylu Group Export catalogue, are produced in the facilities and factories of our company. There are products in metal, plastic and wooden areas and manufacturing facilities belonging to these products.

High quality product, fair price and problem-free service are the general features that a customer expects from a supplier. In addition to this, we are furnishing the services of pre-sale technical support, three-dimensional project and survey. We are able to prepare visual demonstrations and comprehensive, special projects concerning the product you want to buy. These services are realized by our company's design and AR-GE department. The only thing you need to do is sending your scaled drawings belonging to your project, and giving information about your average budget that you figure for this work. Within the shortest possible time, the convenient project, which you won't be able to refuse, will be sent to you.

Our ISO 9001 Quality Management System, ISO 14001 Environment Management System, OHSAS 18001 Health Care And Security of Work, EN 1176, TS 7941 and for the indoor playground groups CE certificates are existing. In brief, in our company there aren't any products or service with poor quality.

Our company, which furnishes considerable services in outside market just as in the internal market, has a strong foreign trade department. We keep our position as a strong and important manufacturer and supplier in this area. Since % 50 of our manufacture and sales are as part of export, based on this important situation the Soylu Group Export 2010-2011 catalogue was especially prepared for the exporters inland and the importers abroad.

The only thing you need to do is choosing the product you need and placing your order. Your order will be delivered to you without any problems.

Many happy returns of 36 years

Chairman - Metin Soylu

A handwritten signature in black ink, appearing to read 'Metin Soylu', written in a cursive style.

PORT EXP E



what's inside



Metal Polyethylene Playground **2 - 25**

New Products & Towers **28 - 36**

Wooden Playground **38 - 53**

Pavilion & Shelter **54 - 64**

Benches & Seatings **65 - 70**

Litter Bins & Waste Units **71 - 76**

Outdoor Fitness **77 - 84**

Extra Accessories **85 - 90**

Stadium & Tribune Seats **91 - 107**

Decoration Ponds **108 - 121**

Sample Pictures **122 - 127**

Indoor & Inflatable Toys **130 - 139**

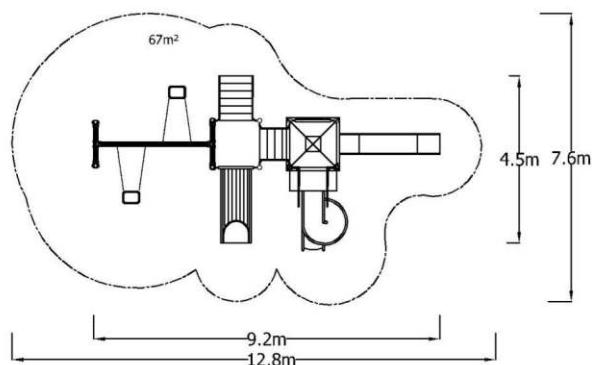
Sales & Delivery Conditions **140 - 141**

Frames from TURKEY **142 - 154**

BOS 01

Metal & Polyethylene
Outdoor Playground

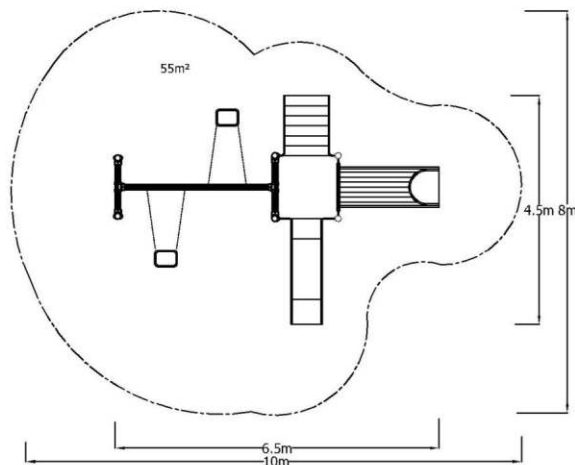
Size	9,2 m - 4,5 m
Safety area	12,8 m - 7,6 m
Required area	67 m ²
Free fall height	1 m - 2 m
User age	Over 4 years
Weight	567 kg
Volume	15 m ³



BOS 02

Metal & Polyethylene
Outdoor Playground

Size	6,5 m - 4,5 m
Safety area	10 m - 8 m
Required area	55 m ²
Free fall height	1 m
User age	Over 4 years
Weight	305 kg
Volume	6,11 m ³





BOS 03

Metal & Polyethylene Outdoor Playground

Size	5,5 m - 4,3 m
Safety area	8,5 m - 7,6 m
Required area	46 m ²
Free fall height	1 m
User age	Over 3 years

Weight	278 kg
Volume	4,68 m ³





BOS 04

Metal & Polyethylene
Outdoor Playground



metal & polyethylene playground

Size 6,5 m - 4,6 m
Safety area 9,5 m - 8 m
Required area 59 m²
Free fall height 1 m - 2 m
User age Over 4 years

Weight 498 kg
Volume 14 m³



BOS 05

Metal & Polyethylene
Outdoor Playground



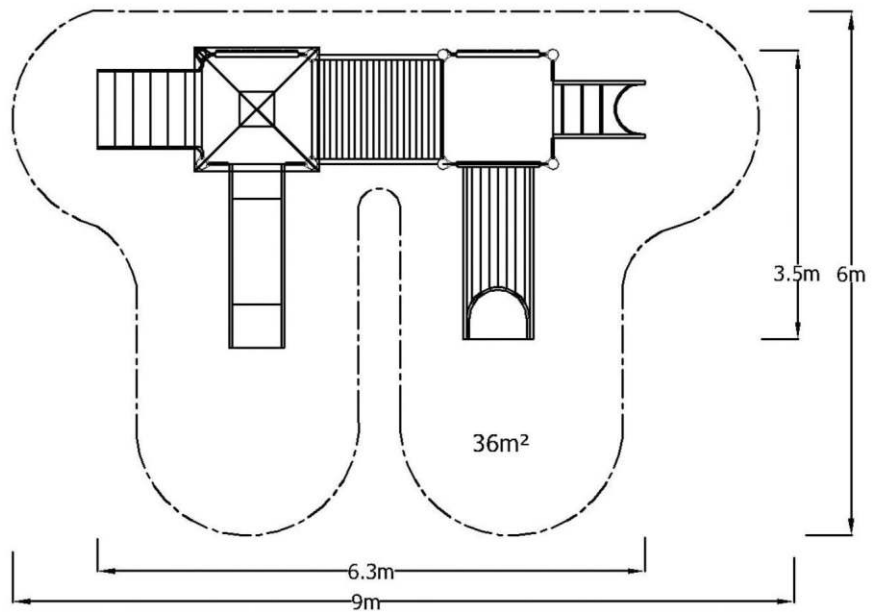


BOS 06

Metal & Polyethylene
Outdoor Playground

Size 6,3 m - 3,5 m
 Safety area 9 m - 6 m
 Required area 36 m²
 Free fall height 1 m
 User age Over 3 years

Weight 93 kg
 Volume 10 m³



metal & polyethylene playground

Size 8,5 m - 8,5 m
Safety area 12 m - 12 m
Required area 93 m²
Free fall height 1 m - 2 m
User age Over 4 years

Weight 1050 kg
Volume 25,64 m³



BOS 07

Metal & Polyethylene
Outdoor Playground



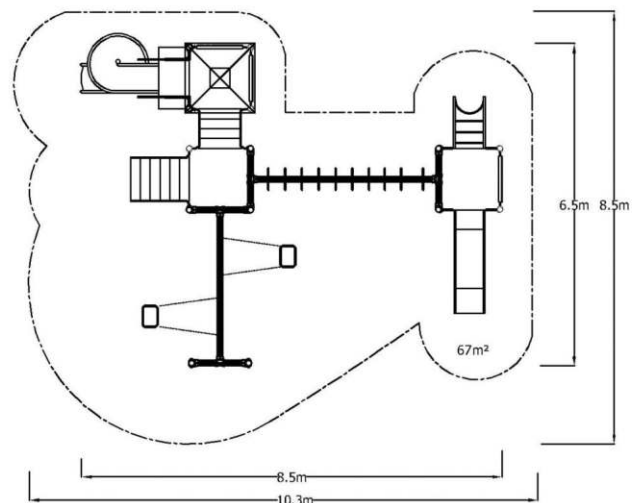


BOS 08

Metal & Polyethylene
Outdoor Playground

Size 8,5 m - 6,5 m
 Safety area 10,5 m - 8,5 m
 Required area 67 m²
 Free fall height 1 m - 2 m
 User age Over 4 years

Weight 688 kg
 Volume 18 m³

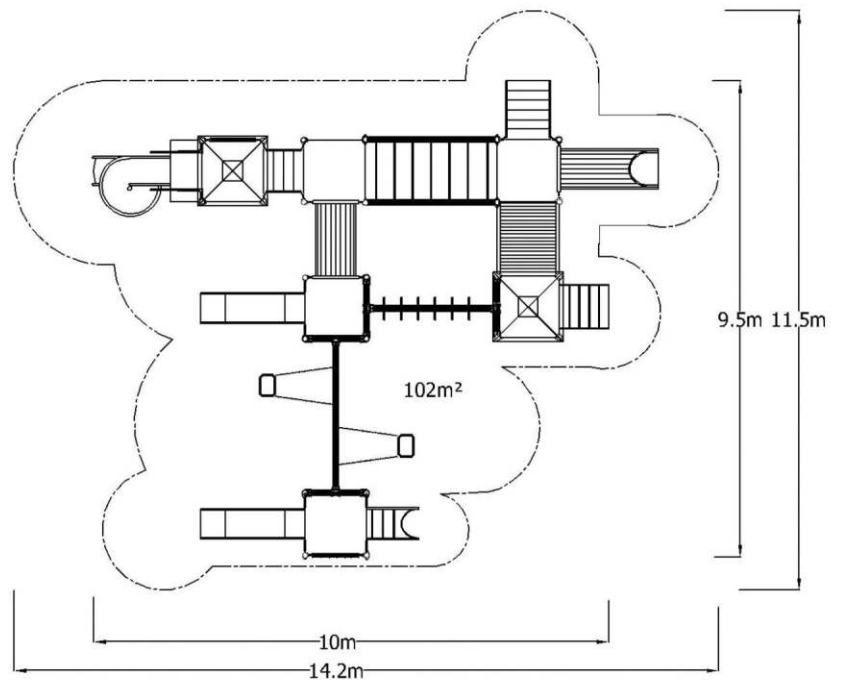




BOS 09

Metal & Polyethylene Outdoor Playground

Size	10 m - 9,5 m
Safety area	14,5 m - 11,5 m
Required area	102 m ²
Free fall height	1 m - 2 m
User age	Over 4 years
Weight	1365 kg
Volume	29,34 m ³



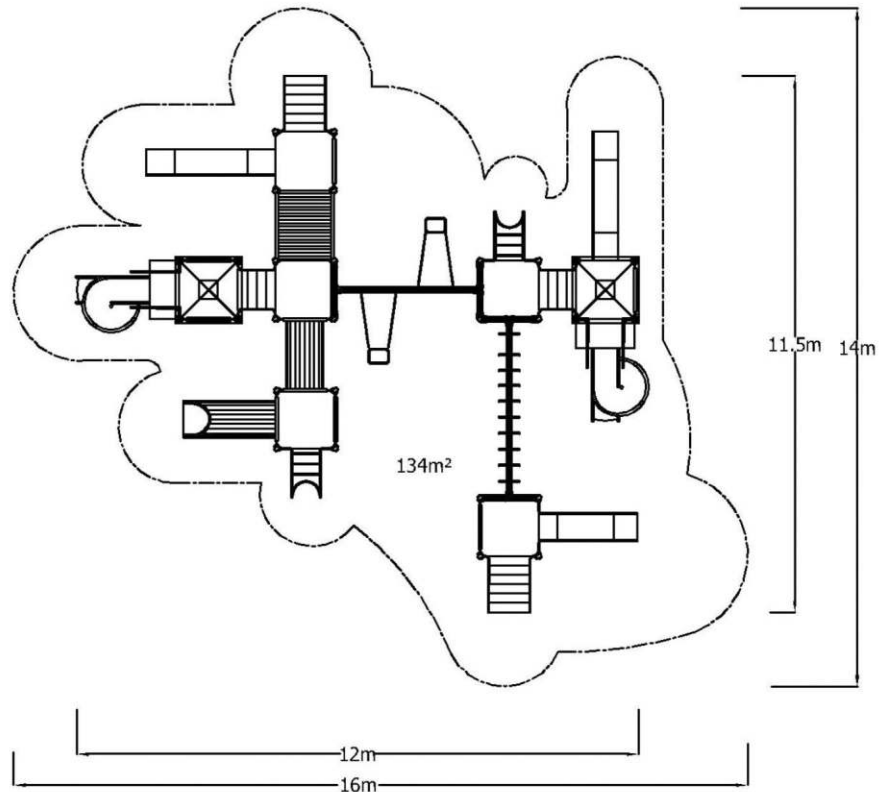


BOS 10

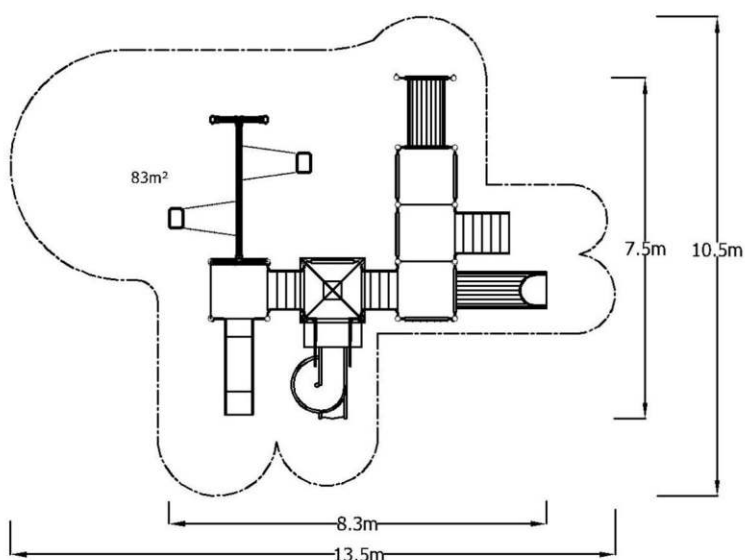
Metal & Polyethylene
Outdoor Playground

Size	12 m - 11,5 m
Safety area	16 m - 14 m
Required area	134 m ²
Free fall height	1 m - 2 m
User age	Over 4 years

Weight	1640 kg
Volume	32 m ³







BOS 12

Metal & Polyethylene
Outdoor Playground

Size	8,3 m - 7,5 m
Safety area	13,5 m - 10,5 m
Required area	83 m ²
Free fall height	1 m - 2 m
User age	Over 4 years

Weight	1050 kg
Volume	21,50 m ³

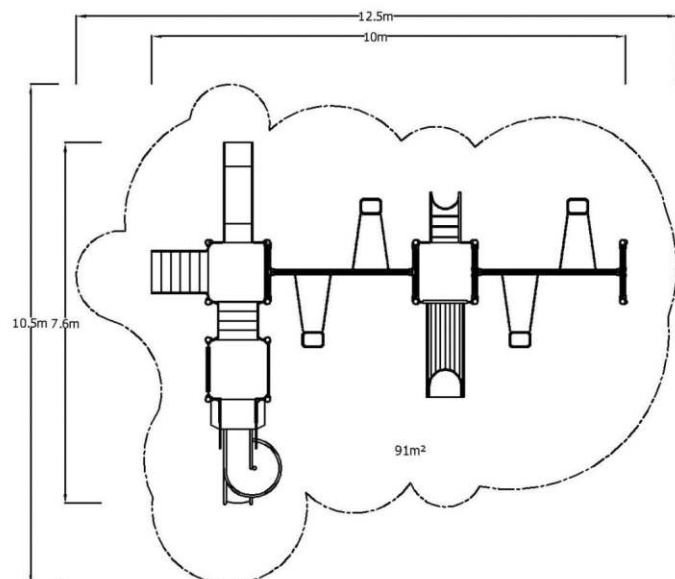




BOS 13

Metal & Polyethylene
Outdoor Playground

Size	7,6 m - 10 m
Safety area	10,5 m - 12,5 m
Required area	91 m ²
Free fall height	1 m - 2 m
User age	Over 4 years



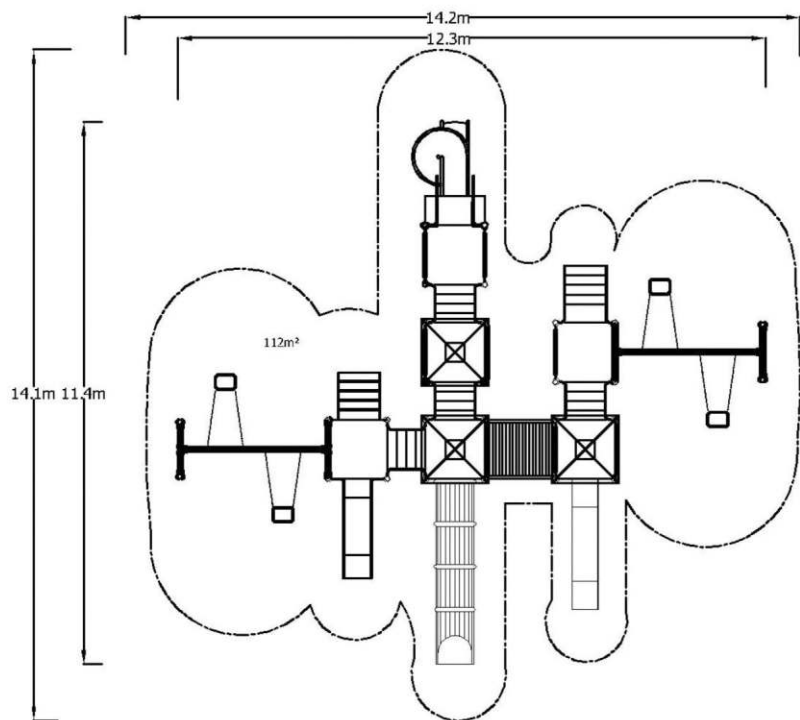




BOS 15

Metal & Polyethylene
Outdoor Playground

Size	11,5 m - 12,5 m
Safety area	14 m - 14 m
Required area	112 m ²
Free fall height	1 m - 2 m - 3 m
User age	Over 4 years

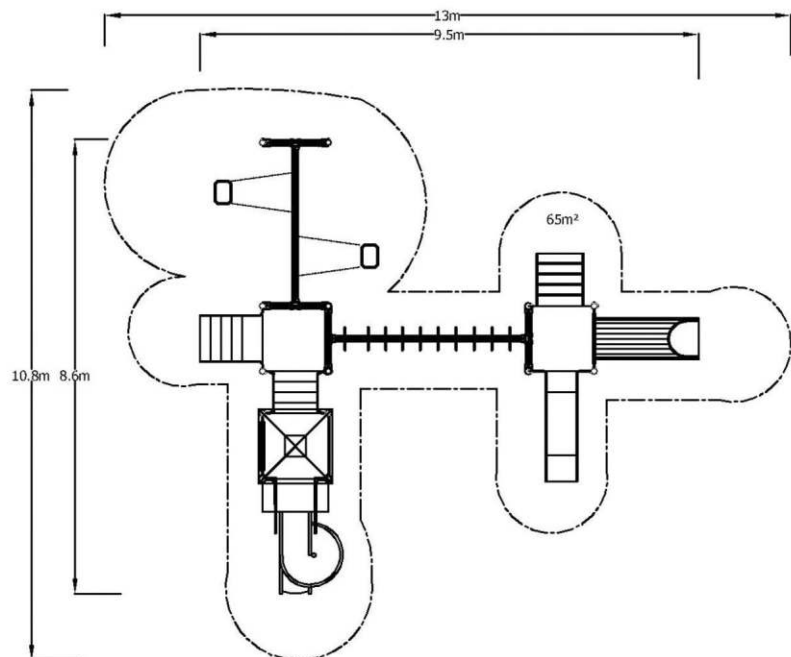


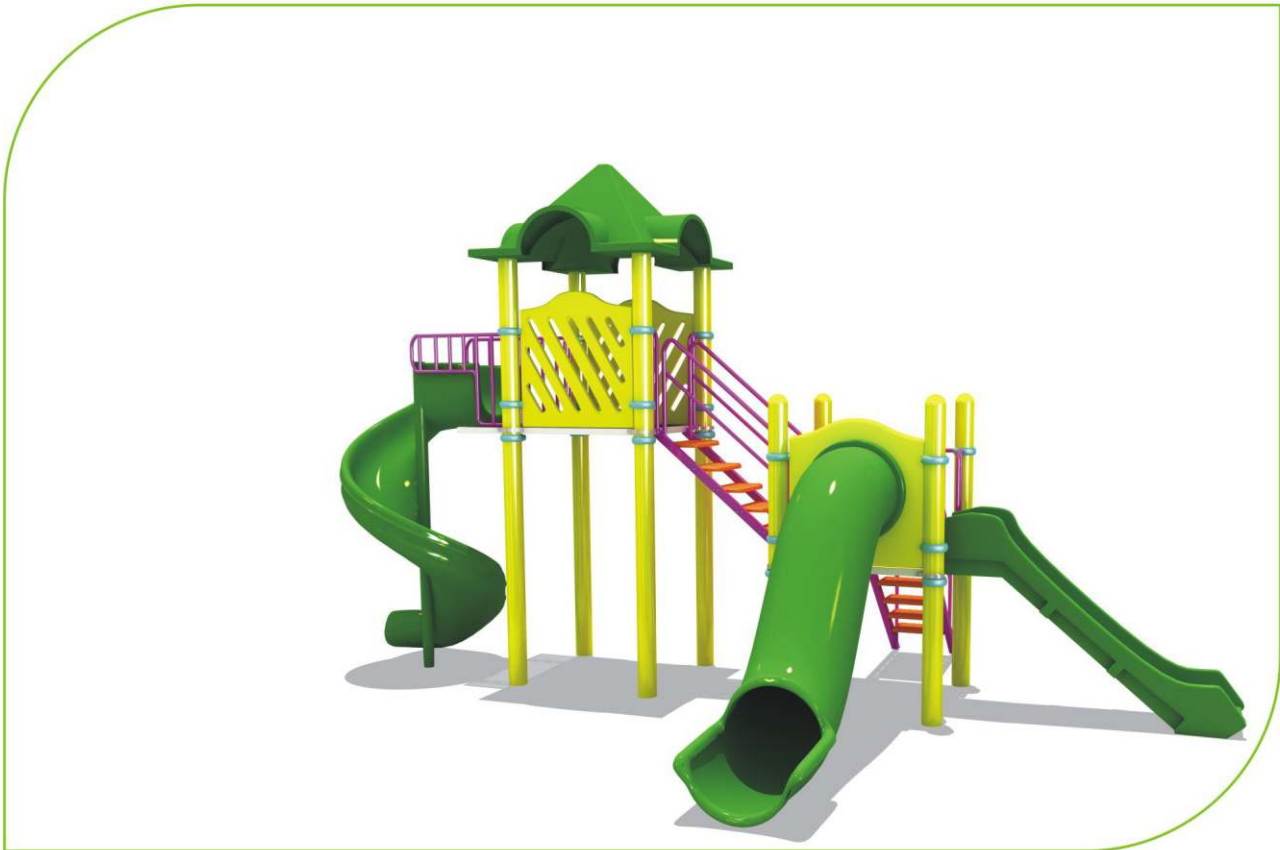


BOS 16

Metal & Polyethylene
Outdoor Playground

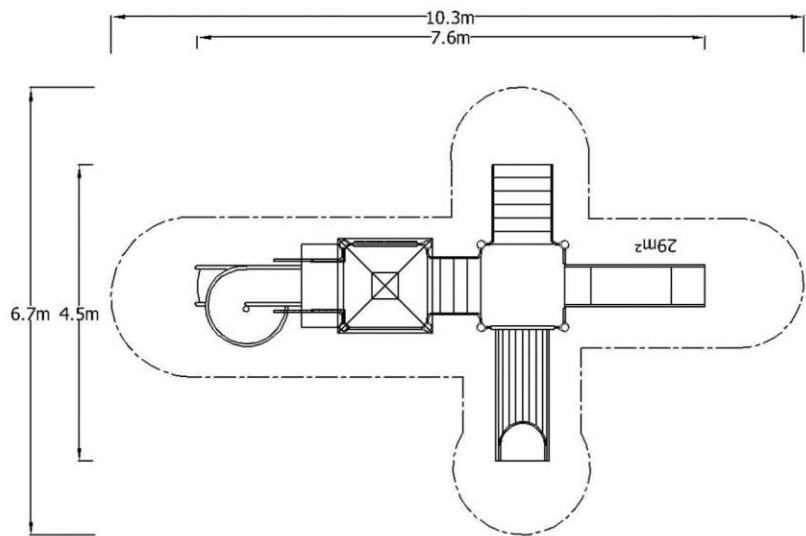
Size	8,6 m - 9,5 m
Safety area	10,8 m - 13 m
Required area	65 m ²
Free fall height	1 m - 2 m
User age	Over 4 years





BOS 17
Metal & Polyethylene
Outdoor Playground

Size 4,5 m - 7,6 m
 Safety area 6,7 m - 10,3 m
 Required area 29 m²
 Free fall height 1 m - 2 m
 User age Over 4 years



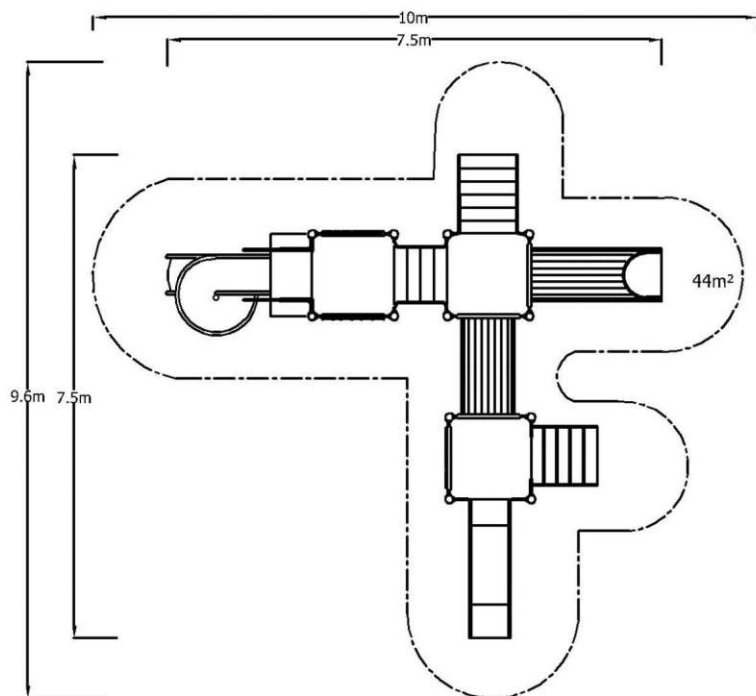


BOS 18

Metal & Polyethylene
Outdoor Playground

Size 7,5 m - 7,5 m
 Safety area 10 m - 9,6 m
 Required area 44 m²
 Free fall height 1 m - 2 m
 User age Over 4 years

Weight 638 kg
 Volume 17 m³

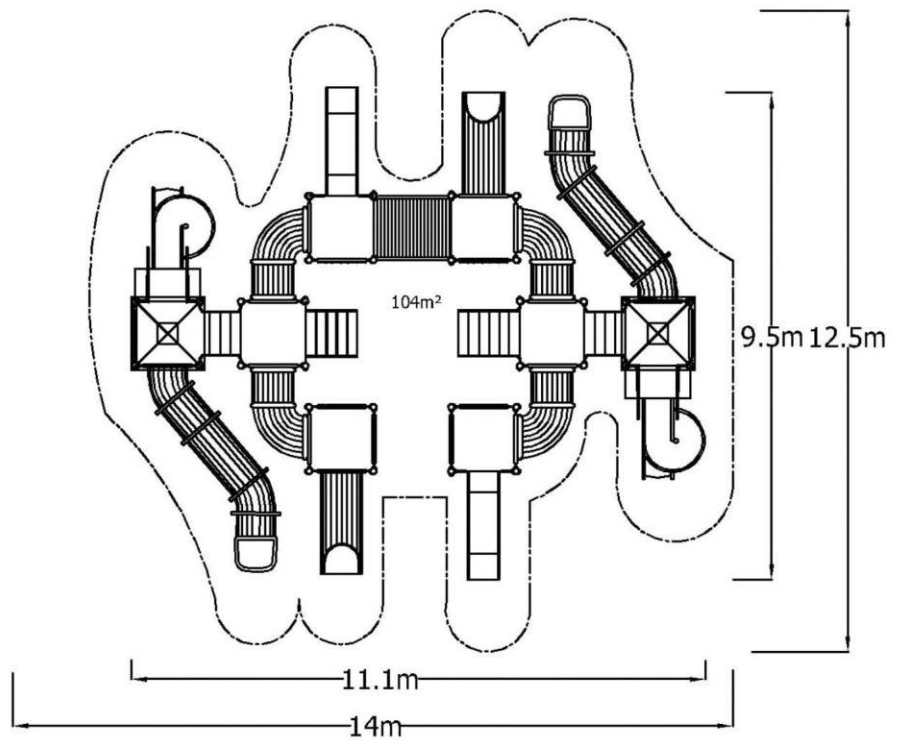




BOS 19

Metal & Polyethylene
Outdoor Playground

Size	11 m - 9,5 m
Safety area	14 m - 12,5 m
Required area	104 m ²
Free fall height	1 m - 2 m
User age	Over 4 years

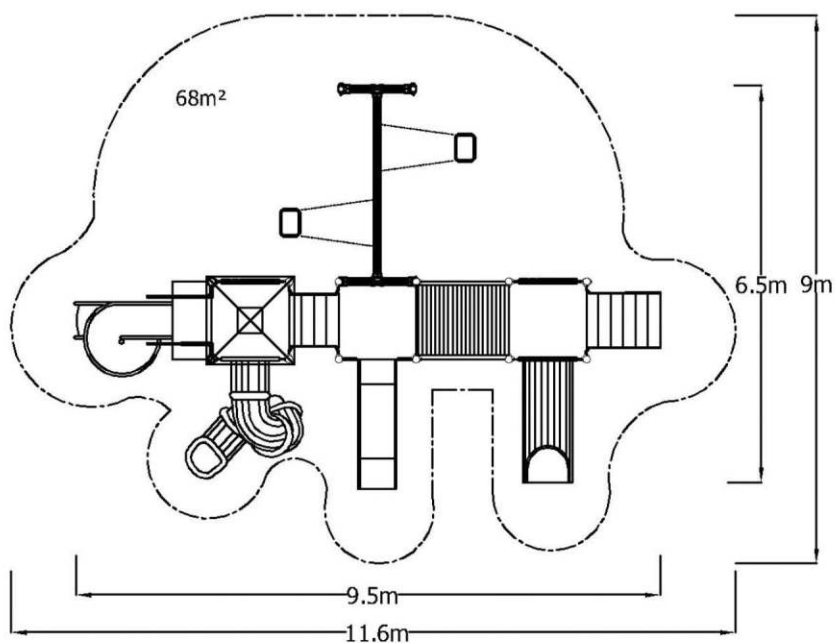




BOS 20

Metal & Polyethylene
Outdoor Playground

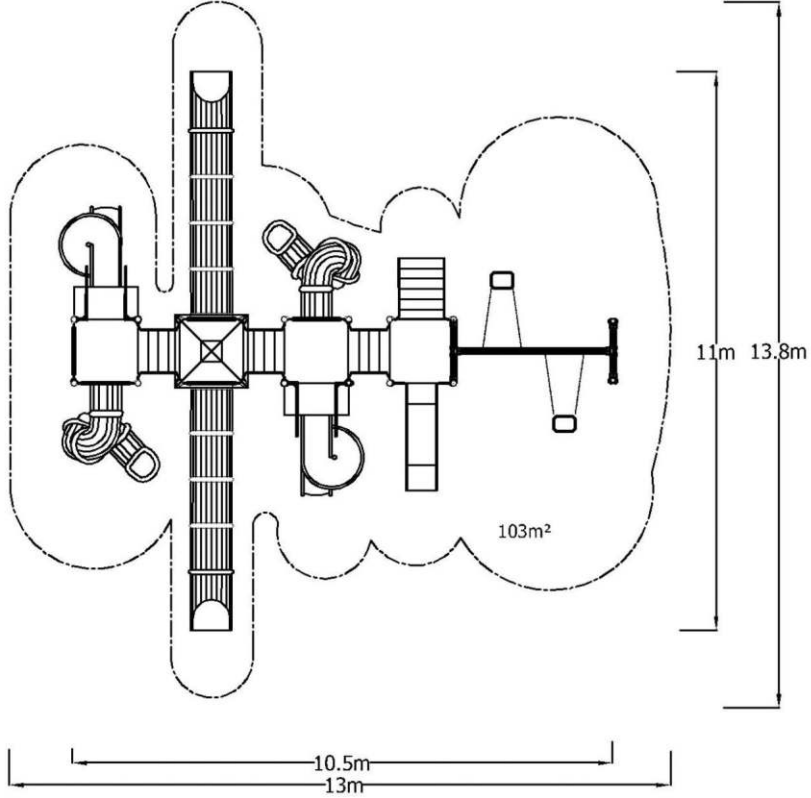
Size	9,5 m - 6,5 m
Safety area	11,6 m - 9 m
Required area	68 m ²
Free fall height	1 m - 2 m
User age	Over 4 years





BOS 21
Metal & Polyethylene
Outdoor Playground

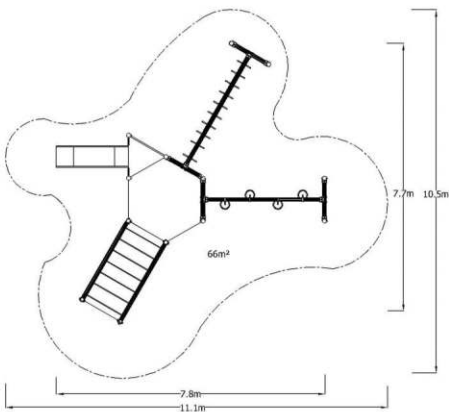
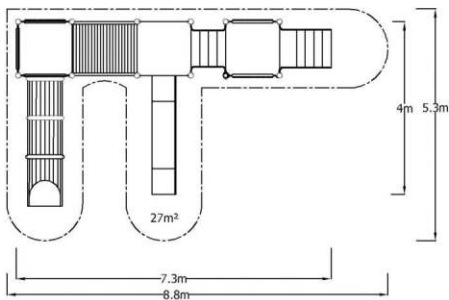
Size	10,5 m - 11 m
Safety area	13 m - 13,8 m
Required area	103 m ²
Free fall height	1 m - 2 m - 3 m
User age	Over 4 years



BOS 22

Metal & Polyethylene
Outdoor Playground

Size 7,3 m - 4 m
Safety area 8,8 m - 5,3 m
Required area 27 m²
Free fall height 1 m - 2 m
User age Over 4 years

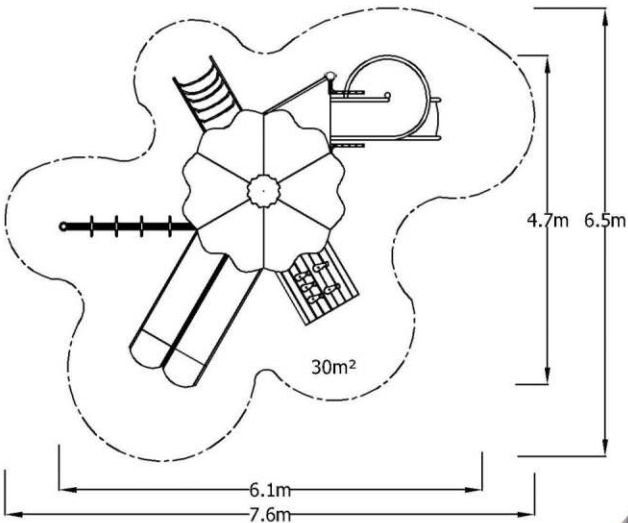


BOS 23

Metal & Polyethylene
Outdoor Playground

Size 7,8 m - 7,7 m
Safety area 11 m - 10,5 m
Required area 66 m²
Free fall height 0,5 m - 1 m
User age Over 4 years





BOS 24

Metal & Polyethylene
Outdoor Playground

Size	6,1 m - 4,7 m
Safety area	8 m - 6,5 m
Required area	30 m ²
Free fall height	1 m - 1,5 m
User age	Over 4 years

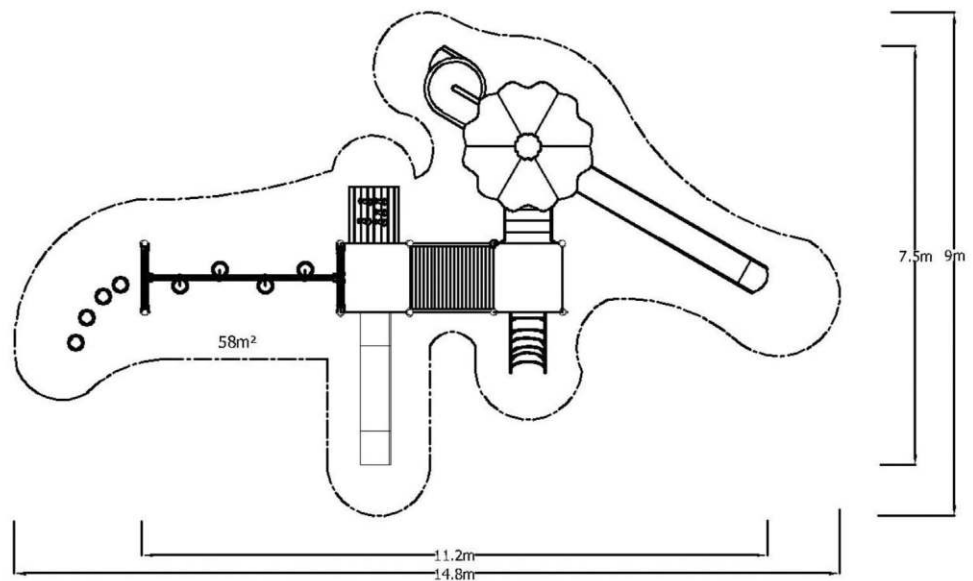




BOS 25

Metal & Polyethylene
Outdoor Playground

Size	11,2 m - 7,5 m
Safety area	14,8 m - 9 m
Required area	58 m ²
Free fall height	1 m - 2 m
User age	Over 4 years

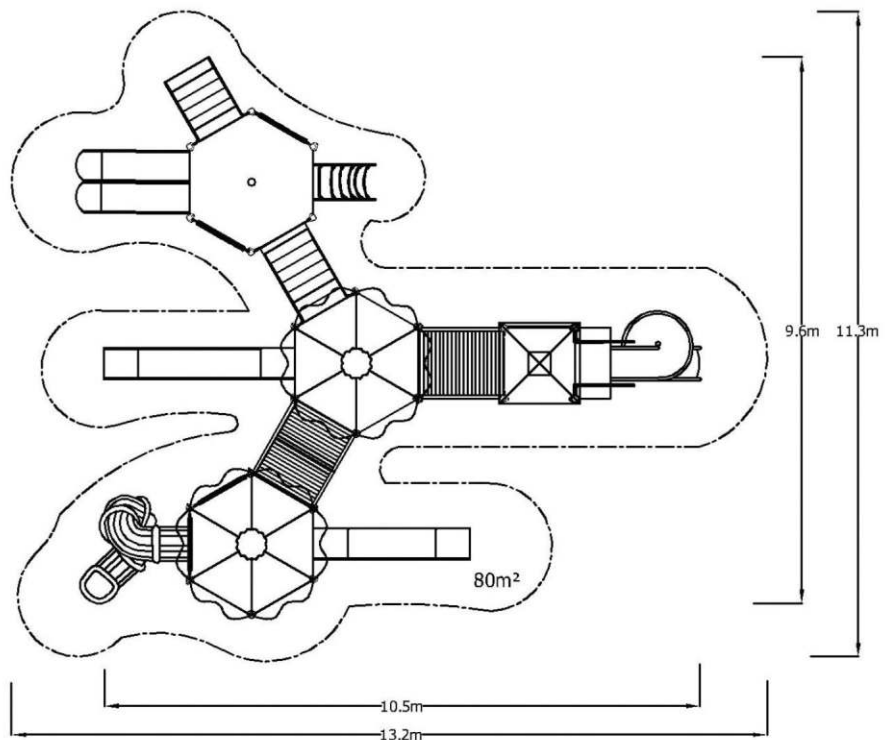




BOS 26

Metal & Polyethylene
Outdoor Playground

Size 10,5 m - 9,6 m
 Safety area 13,5 m - 11,5 m
 Required area 80 m²
 Free fall height 1 m - 2 m
 User age Over 4 years





Saudi Arabia
AGS Advanced Generations Schools





BOS 27

Metal & Polyethylene
Outdoor Playground

Size	10 m - 5,7 m
Safety area	14 m - 9 m
Required area	92 m ²
Free fall height	1,2 m - 1,8 m
User age	Over 4 years

Weight	850 kg
Volume	23 m ³



metal & polyethylene playground

BOS 28

Metal & Polyethylene
Outdoor Playground

Size 10 m - 7 m
Safety area 12,5 m - 10 m
Required area 69 m²
Free fall height 1,2 m
User age Over 4 years

Weight 1050 kg
Volume 18.50 m³



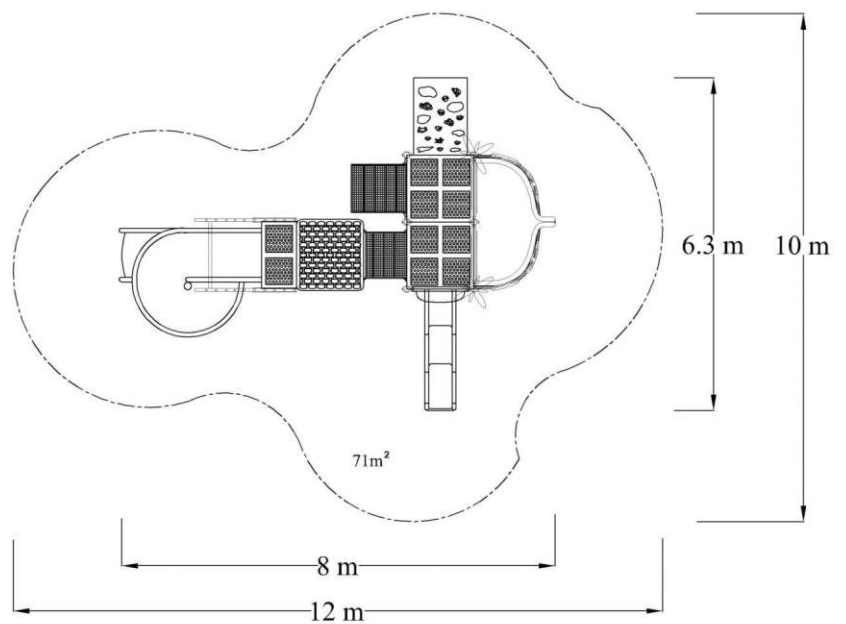


BOS 29

Metal & Polyethylene
Outdoor Playground

Size 8 m - 6,3 m
 Safety area 12 m - 10 m
 Required area 71 m²
 Free fall height 1,2 m - 2 m
 User age Over 3 years

Weight 550 kg
 Volume 13,20 m³



Learning by means of physical exercises

A child's development is comprehensive. Physical development is strongly connected to learning and to the child's socio-emotional and cognitive development. Positive experiences from physical exercises together with other children form a good base for the development of the child's self-image. Therefore children's physical education is not only aimed at promoting motoric skills and health but also at supporting cognitive and socio-emotional learning. Growing up to a way of life that includes physical exercises is also important.

Physical games teach children many motoric skills while playing. Physical games make children use all their muscles and they also level out possible differences in children's skills. Beside motoric skills physical games also stimulate other skills, like initiative, memory, inventiveness, courage, observation of the environment and self-control. Playing together also produces a feeling of togetherness...

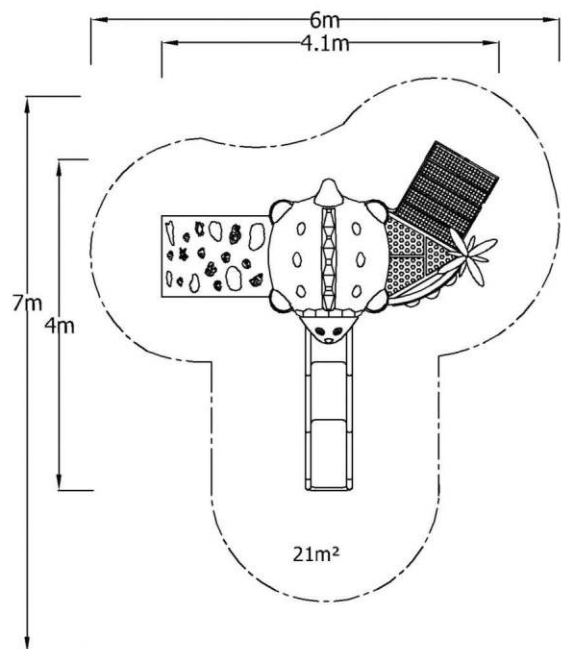


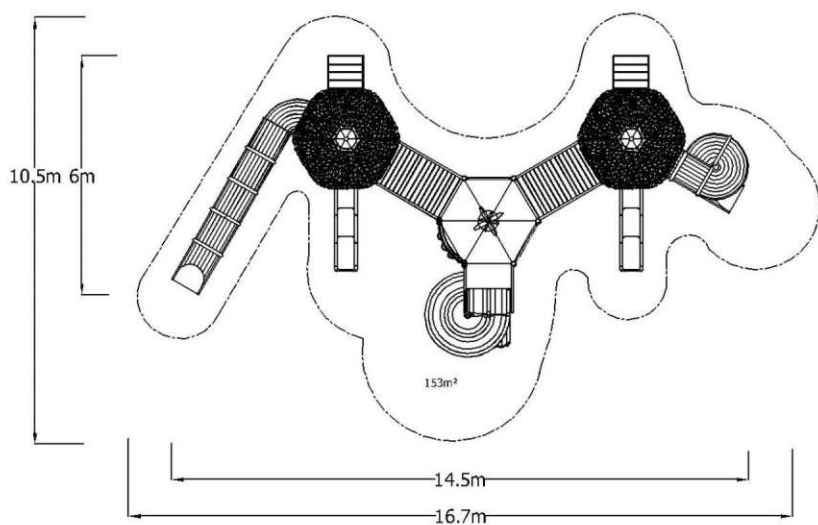
BOS 30

Metal & Polyethylene
Outdoor Playground

Size	4 m - 4 m
Safety area	7 m - 6 m
Required area	21 m ²
Free fall height	1,2 m
User age	Over 3 years

Weight	260 kg
Volume	6,63 m ³





BOS 31

Metal & Polyethylene
Outdoor Playground

Size	14,5 m - 6 m
Safety area	16,7 m - 10,5 m
Required area	153 m ²
Free fall height	1,2 m - 1,85 - 2,6 m
User age	Over 4 years

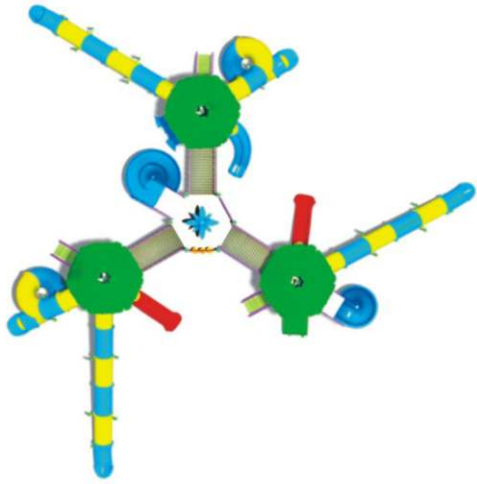




BOS 32

Metal & Polyethylene
Outdoor Playground

Size	16,6 m - 15,5 m
Safety area	20 m - 19 m
Required area	198 m ²
Free fall height	1,2 m - 1,9 - 2,6 m
User age	Over 4 years

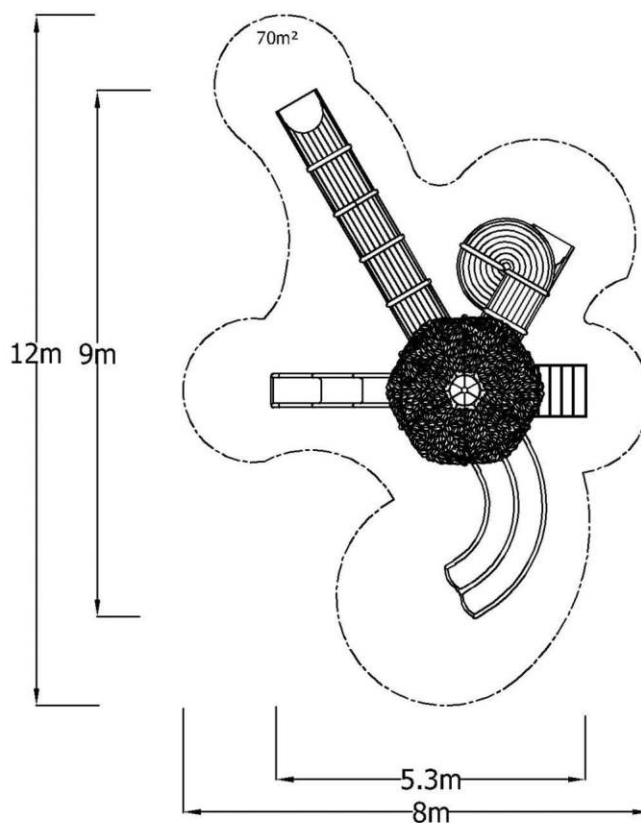
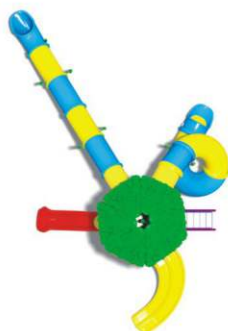




BOS 33

Metal & Polyethylene
Outdoor Playground

Size	5,3 m - 9 m
Safety area	8 m - 12 m
Required area	70 m ²
Free fall height	1,2 m - 2,6 m
User age	Over 4 years







metal & polyethylene playground

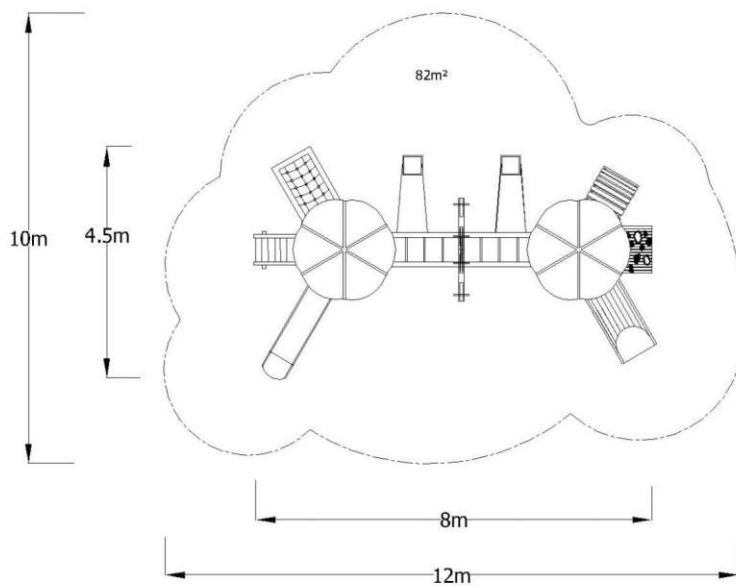


BOS-27SML

Metal & Polyethylene Outdoor Playground

Size	5,5 m - 9,5 m
Safety area	11,2 m - 6,7 m
Required area	39 m ²
Free fall height	1 m
User age	Over 4 years





SG 01

Wooden & Polyethylene Outdoor Playground

Size	4,5 m - 8 m
Safety area	12 m - 10 m
Required area	82 m ²
Free fall height	1 m
User age	Over 4 years

Weight	850 kg
Volume	15,50 m ³



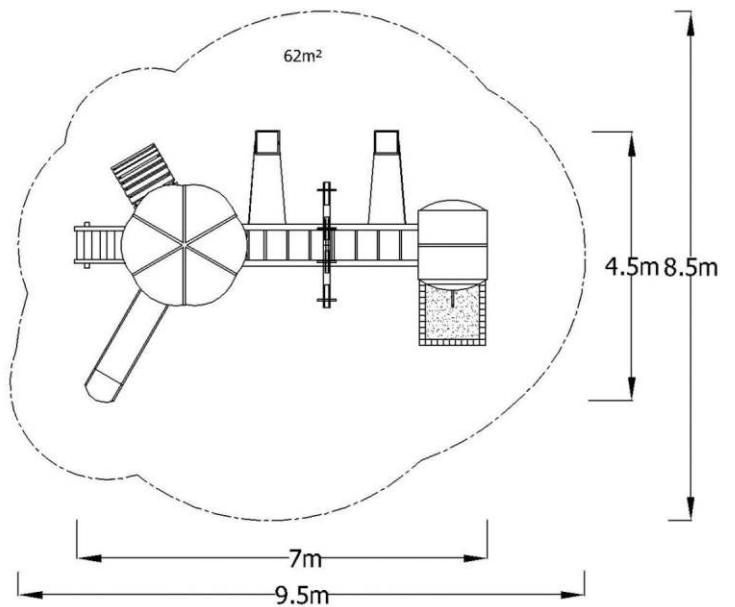


SG 02

Wooden & Polyethylene Outdoor Playground

Size	4,5 m - 7 m
Safety area	8,5 m - 9,5 m
Required area	62 m ²
Free fall height	1 m
User age	Over 4 years

Weight	750 kg
Volume	11,50 m ³





SG 03

Wooden & Polyethylene
Outdoor Playground

Size	4,3 m - 4,3 m
Safety area	7,6 m - 6,5 m
Required area	31 m ²
Free fall height	1 m
User age	Over 4 years





SG 04

Wooden & Polyethylene Outdoor Playground

Size	4,1 m - 4,1 m
Safety area	7 m - 8,9 m
Required area	49 m ²
Free fall height	1 m
User age	Over 3 years





SG 05

Wooden & Polyethylene Outdoor Playground

Size	8,3 m - 5,3 m
Safety area	10 m - 7,5 m
Required area	44 m ²
Free fall height	1 m - 1,5 m
User age	Over 4 years

Weight	875 kg
Volume	18,45 m ³





SG 06

Wooden & Polyethylene Outdoor Playground

Size 5 m - 4,3 m
Safety area 6,5 m - 6,7 m
Required area 34 m²
Free fall height 2 m
User age Over 4 years

Volume 9,50 m³

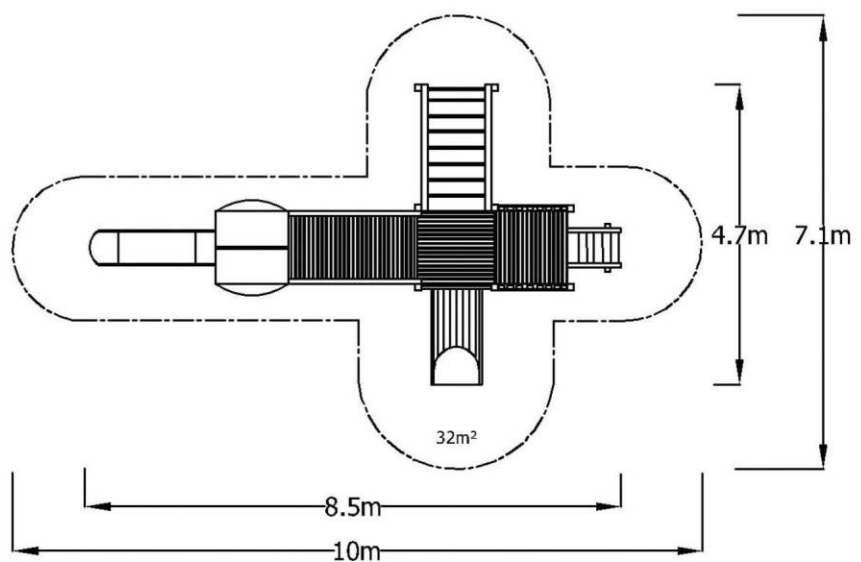




SG 07

Wooden & Polyethylene
Outdoor Playground

Size	8,5 m - 4,7 m
Safety area	10 m - 7 m
Required area	32 m ²
Free fall height	1 m
User age	Over 4 years
Volume	10,55 m ³

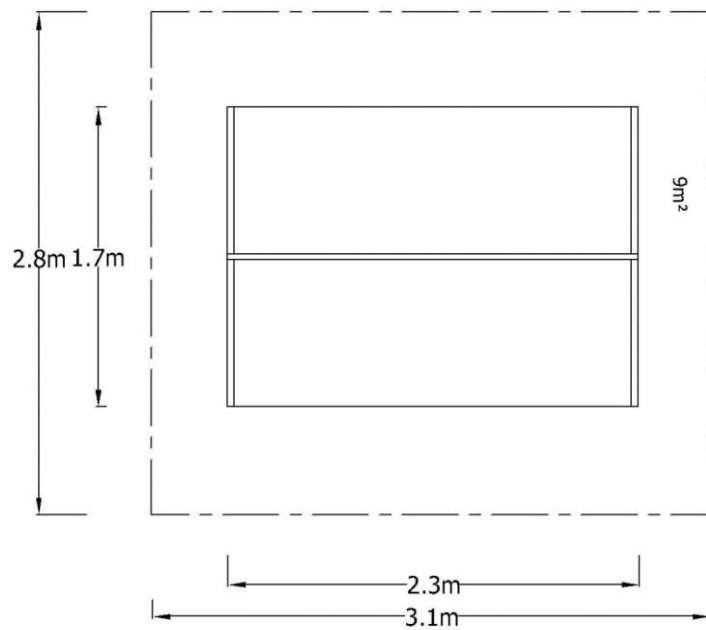




SG 08

Play House
Indoor & Outdoor

Size	2,3 m - 1,7 m
Safety area	2,8 m - 3,1 m
Required area	9 m ²
User age	Over 1,5 years



SG 09

Wooden & Polyethylene
Outdoor Playground

Size	5,2 m - 2,6 m
Safety area	8,5 m - 4 m
Required area	27 m ²
Free fall height	1 m
User age	Over 3 years
Volume	3,90 m ³

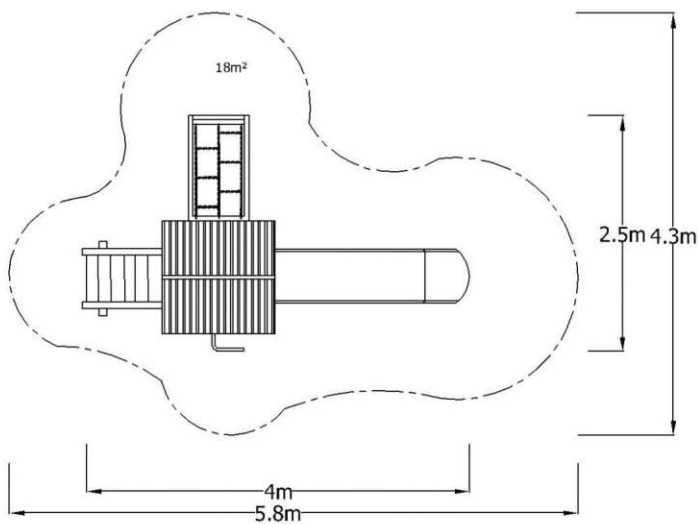


IC 01

Wooden Playground
Outdoor & Indoor

Size	2,5 m - 2 m
Safety area	4,5 m - 5 m
Required area	18 m ²
Free fall height	0,8 m
User age	Over 2 years
Volume	1,38 m ³





SG 12

Wooden & Polyethylene Outdoor Playground

Size	2,5 m - 4 m
Safety area	4,5 m - 6 m
Required area	18 m ²
Free fall height	1 m
User age	Over 3 years
Volume	3,50 m ³





SG 13

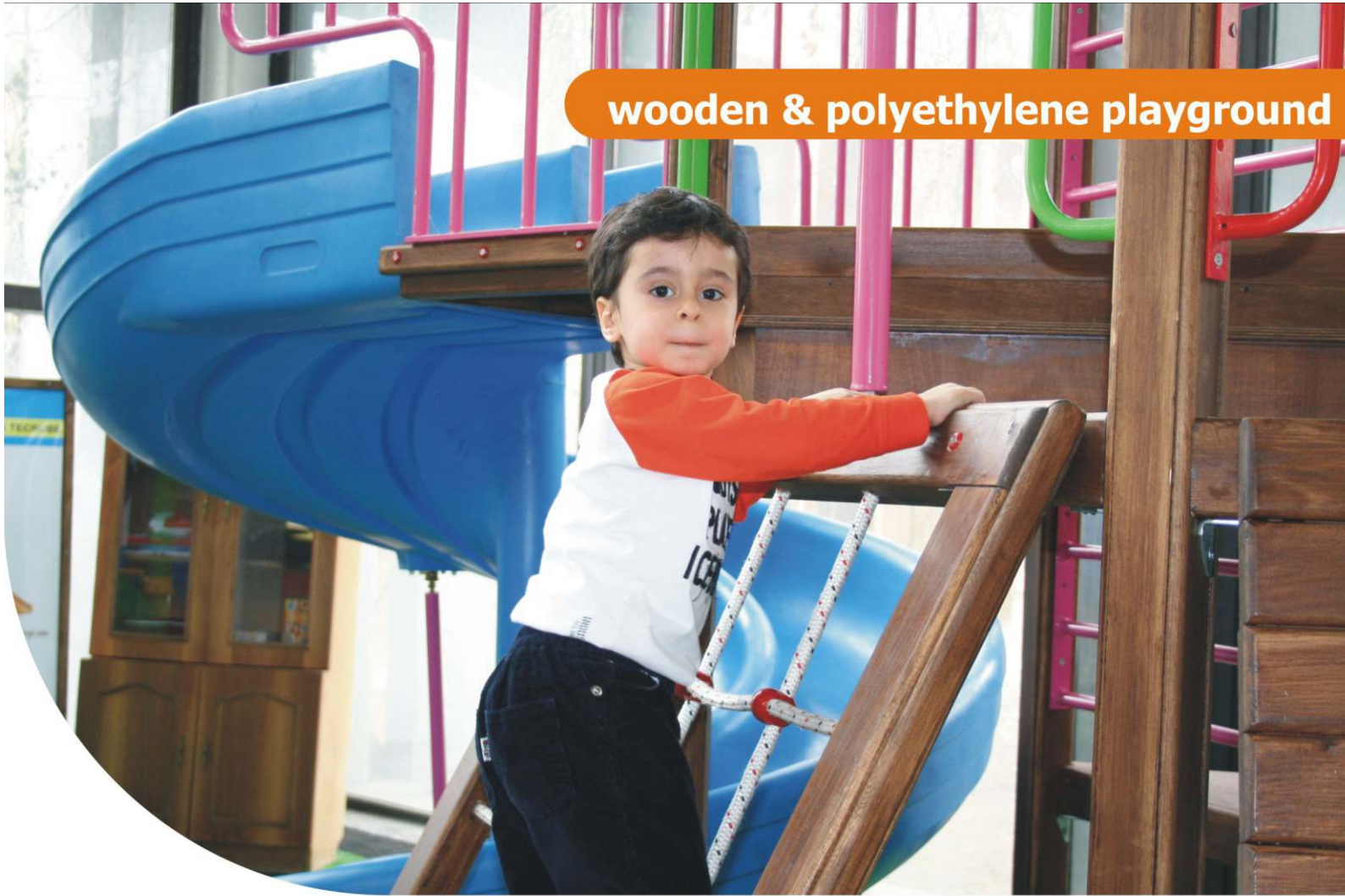
WOODEN Outdoor Playground

Size 6,5 m - 3,6 m
Safety area 9,7 m - 7 m
Required area 53 m²
Free fall height 1,2 m - 1,85 m
User age Over 4 years

Weight 490 kg
Volume 28,40 m³



wooden & polyethylene playground



This product is designed to improve children's motoric skills

The periods of motoric development

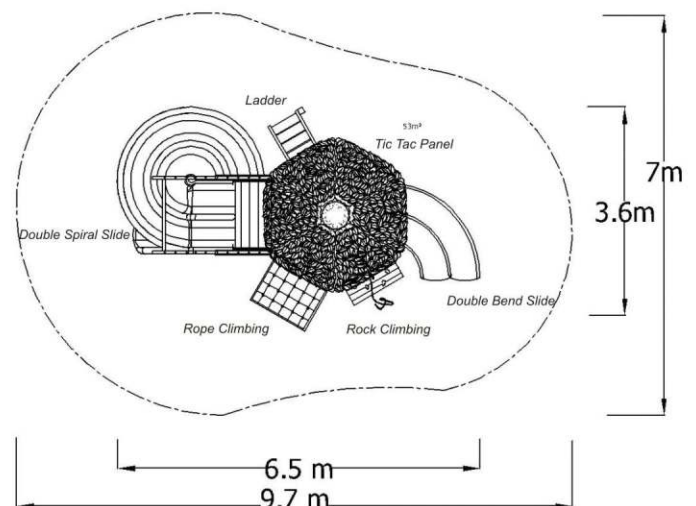
The learning of motoric skills happens pretty much in the same order, although one child may be faster than the other. In its process of physical growth a child experiences periods of sensitivity, during which it is particularly susceptible to adopt certain motoric skills. Learning of skills is the combined results of physical maturity and training.

A child that has learned to walk, changes suddenly from a crawling roll into an active energy pack and moves almost constantly. Extended motoric skills further the child's ability to perceive its environment. A child's motoric skills proceed through basic skills, like walking, running and jumping to more demanding performances of motion, like those required for sports or playing music. The most essential basic motoric skills and motion combinations the child will learn before the beginning of its schooldays.

Age 7 to 12 is the period in which children's capability to learn motoric skills increases fast. This is the best time for learning physical skills. The learning process is supported by improved body qualifications, flexibility of nerve functioning and earlier experiences of motion. By giving stimuli children's motoric learning can be improved considerably. A lack of stimuli, on the other hand, can prevent or extinguish the automation of skills and slow down later stage of development...

By choosing versatile and challenging playing equipment we can affect the development of these skills. Versatile games are sufficient for a small child to develop strength.

For 7 to 13 years old climbing in ropes and nets as well as jumping and hanging are suitable exercises. Swings, slides, balance beams and climbing frames are suitable for the training of basic movements like crawling, swinging, jumping, throwing, catching holding, etc., and condition and skill factors,,,





SG 14

WOODEN SHIP Outdoor Playground

Size 13,5 m - 8,5 m
Safety area 19,5 m - 12 m
Required area 161 m²
Free fall height 1,2 m - 1,85 m
User age Over 4 years

Weight 1500 kg
Volume 45 m³



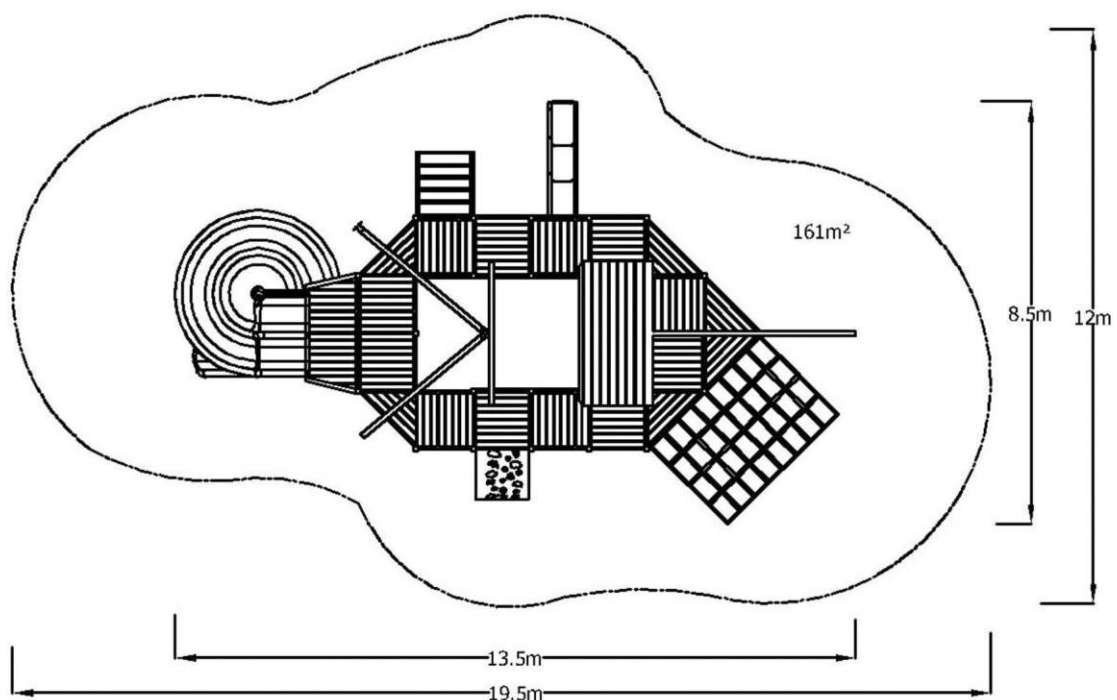
STAGE OF PLAYING

Children under 2 years old are in the earliest stage of playing, in which the child gets to know itself and its environment by moving and observing. Playing may be for instance being busy with objects or in the sandbox. This often is also quite physical, since a child likes to practice the motoric skills it has just learned. The child may play alone or together with other children.

In the next stage, from age 3 to 4, role-playing and fantasy games become part of playing. The child often imitates what the adults are doing, and takes an interest in for instance nursing games.

Along comes a group of friends, through which the child learns about reciprocity. Later on come rule games, which develop together with role-play. The child already has the capability to work together and stick to the rules. Playing together develops, among other things, social behavior and negotiating skills...

Stages of playing





SG 15

PLAY HOUSE & SAND POOL Outdoor Playground

Size	2,5 m - 3 m
Safety area	4,5 m - 5 m
Required area	21 m ²
User age	Over 2 years

Volume	2,20 m ³
--------	---------------------



IPT 01

ROPE CLIMBING
Outdoor & Indoor

Size	2 m - 2 m
Safety area	4 m - 4 m
Required area	16 m ²
Free fall height	2 m
User age	Over 5 years
Volume	1,76 m ³

Childhood is a time of playing, skills that are essential in life, like interaction skills, functioning in a group and physical skills are all being developed.

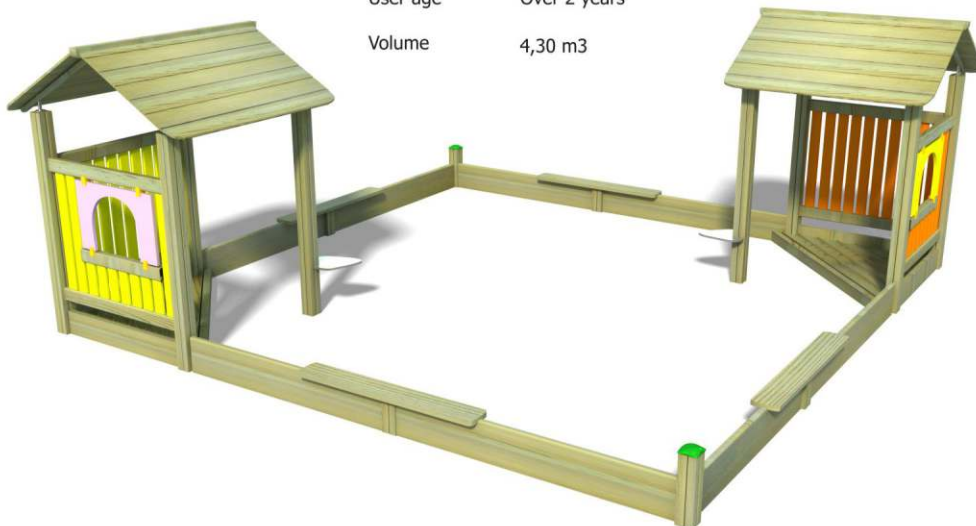
Children create their own playing world using their own conditions. Grown-ups are there to support the children and give them the opportunity to carry out their game in the best possible way...



SG 16

PLAY HOUSE & SAND POOL
Outdoor Playground

Size	3,5 m - 3 m
Safety area	5,5 m - 5,5 m
Required area	29 m ²
User age	Over 2 years
Volume	4,30 m ³





GZ 19

OCTAGONAL PAVILION
SINGLE ROOF
WITH WOODEN SURFACE
Size 3 m - 3 m
Required area 16 m²

SAUDI ARABIA



GZ 10

OCTAGONAL PAVILION
WITH SEATING
DOUBLE ROOF

Size 4 m - 4 m
Required area 25 m²



TYPE 1

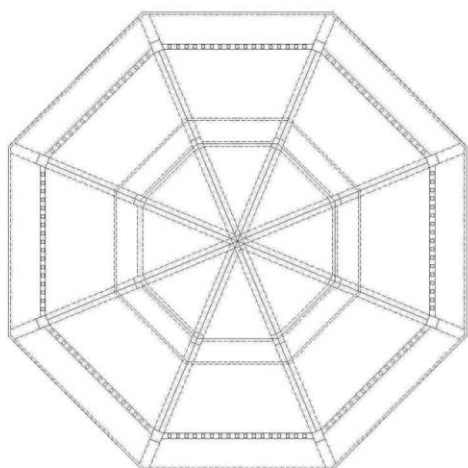
GZ 11

OCTAGONAL PAVILION
WITHOUT SEATING
SINGLE ROOF

Size 4 m - 4 m
Required area 25 m²

TYPE 2 'CLOSED'
IRAQ

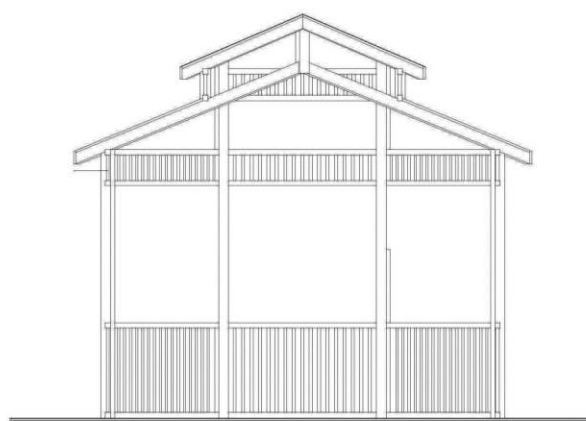
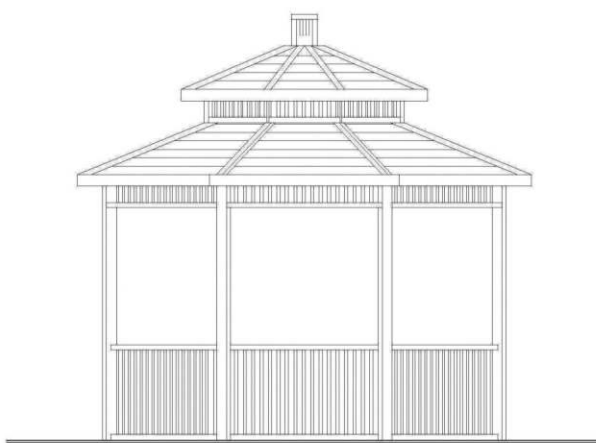




GZ 12

OCTAGONAL METAL PAVILION
WITH SEATING
DOUBLE ROOF

Size 4 m - 4 m
Required area 25 m²





GZ 13

SQUARE PAVILION
WITH SEATING
SINGLE ROOF

Size 3 m - 3 m
Required area 16 m²





GZ 14

SQUARE METAL PAVILION
WITH SEATING
SINGLE ROOF

Size 3 m - 3 m
Required area 16 m²



GZ 18

PICNIC TYPE PAVILION
WITH SEATING & TABLE
SINGLE ROOF

Size 3 m - 3 m
Required area 16 m²



GZ 15

SPECIAL PRODUCTION PAVILION
ACCORDING TO YOUR SIZE





GZ 16

OCTAGONAL PAVILION
WITHOUT SEATING
DOUBLE ROOF

Size 4 m - 4 m
Required area 25 m²



GZ 17

OCTAGONAL PAVILION
WITHOUT SEATING
SINGLE ROOF

Size 5 m - 5 m
Required area 36 m²





SLT 0345
Park & Street Furniture
Shelter
Size 5 m - 1,5 m



SLT 0346
Park & Street Furniture
Shelter
Size 4 m - 1,5 m



SLT 0347
Park & Street Furniture
Shelter
Size 3 m - 1,5 m



SLT 0348
Park & Street Furniture
Shelter
Size 2 m - 1,3 m



SLT 0349

Park & Street Furniture Shelter

Size 1.5 m - 1,3 m



SLT 0350

Park & Street Furniture Shelter

Size 2 m - 2 m - 1 m



SLT 0351

Park & Street Furniture Shelter

Size R4 m - 1,2 m



SLT 0352

Park & Street Furniture Shelter

Size 3 m - 1,2 m



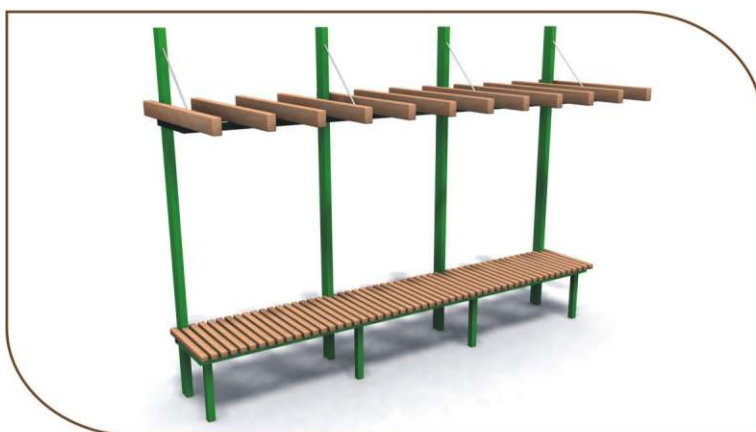
SLT 0353
Park & Street Furniture
Shelter

Size 1.5 m - 1,2 m



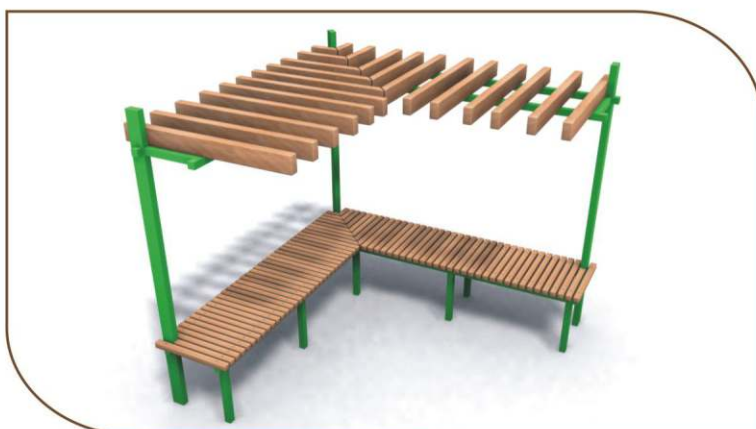
SLT 0354
Park & Street Furniture
Shelter

Size 3 m - 1,2 m



SLT 0355
Park & Street Furniture
Shelter

Size 4 m - 1,2 m



SLT 0356
Park & Street Furniture
Shelter

Size 2 m - 2 m - 1,2 m



BENCHES



SGB 01

Aluminum & Wooden
Bench

Size 150 cm - 55 cm
Weight 33 kg
Volume 0,7 m³



SGB 02

Aluminum & Wooden
Bench

Size 150 cm - 55 cm
Weight 41 kg
Volume 0,7 m³



SGB 03

Aluminum & Wooden
Bench

Size 150 cm - 55 cm
Weight 39 kg
Volume 0,7 m³



SGB 04

Aluminum & Wooden
Bench

Size 150 cm - 55 cm
Weight 54 kg
Volume 0,7 m³



SGB 05

Aluminum & Wooden
Bench

Size 150 cm - 110 cm
Weight 72 kg
Volume 1,6 m³



SGB 06

Aluminum & Wooden
Bench

Size 120 cm - 55 cm
Weight 38 kg
Volume 0,6 m³



SGB 07

Aluminum & Wooden
Bench

Size 150 cm - 55 cm
Weight 61 kg
Volume 0,7 m³



SGB 08

Aluminum & Wooden
Bench

Size 150 cm - 55 cm
Weight 41 kg
Volume 0,7 m³

park & street furniture . . . TURKEY



SGB 09

Aluminum & Wooden
Bench

Size 150 cm - 55 cm
Weight 58 kg
Volume 0,7 m³



SGB 10

Aluminum & Wooden
Bench

Size 150 cm - 55 cm
Weight 45 kg
Volume 0,7 m³





SGB 11

Metal & Wooden
Bench

Size 150 cm - 55 cm
Weight 45 kg
Volume 0,7 m³



SGB 12

Metal & Wooden
Bench

Size 150 cm - 55 cm
Weight 39 kg
Volume 0,5 m³



SGB 13

Aluminum & Wooden
Bench

Size 150 cm - 55 cm
Weight 54 kg
Volume 0,7 m³



SGB 14

Aluminum & Wooden
Bench

Size 150 cm - 55 cm
Weight 33 kg
Volume 0,4 m³



SGB 20

Metal & Wooden Bench

Size 180 cm - 55 cm
Weight 45 kg
Volume 1 m³



SGB 17

Picnic Table

Size 150 cm - 170 cm
Weight 60 kg
Volume 1,4 m³



SGB 18

Picnic Table

Size 180 cm - 180 cm
Weight 95 kg
Volume 3,24 m³

SGB 19

Picnic Table

Size 180 cm - 200 cm
Weight 90 kg
Volume 3,5 m³



SGB 24

Picnic Table

Size 145 cm - 160 cm



SGB 24-BR

Picnic Table

Size 145 cm - 180 cm



SGB 18-BR

Picnic Table

Size 180 cm - 180 cm





SGC 01

Litter Bin
Waste Units

Size 44 x 28 x h 112 cm
Volume 0,2 m³



SGC 02

Litter Bin
Waste Units

Size 44 x 44 x h 112 cm
Volume 0,3 m³



SGC 03

Litter Bin
Waste Units

Size 44 x 28 x h 115 cm
Volume 0,3 m³



SGC 04

Litter Bin
Waste Units

Size 44 x 44 x h 106 cm
Volume 0,3 m³



SGC 05

Litter Bin
Waste Units

Size 44 x 28 x h 100 cm
Volume 0,3 m³



SGC 06

Litter Bin
Waste Units

Size 44 x 28 x h 92 cm
Volume 0,2 m³



SGC 07

Litter Bin
Waste Units

Size 44 x 44 x h 70 cm
Volume 0,2 m³



SGC 08

Litter Bin
Waste Units

Size 44 x 46 x h 70 cm
Volume 0,3 m³



SGC 09

Litter Bin
Waste Units

Size 26 x 30 x h 62 cm
Volume 0,1 m³



SGC 10

Litter Bin
Waste Units

Size 38 x h 78 cm
Volume 0,2 m³



SGC 11

Litter Bin
Waste Units

Size 60 x h 80 cm
Volume 0,3 m³



SGC 12

Litter Bin
Waste Units

Size 40 x h 65 cm
Volume 0,2 m³



SGC 13

Litter Bin
Waste Units

Size 37 x h 80 cm
Volume 0,2 m³



SGC 14

Litter Bin
Waste Units

Size 45 x h 74 cm
Volume 0,2 m³



SGC 15

Litter Bin
Waste Units

Size 37 x h 64 cm
Volume 0,2 m³



SGC 16

Litter Bin
Waste Units

Size 45 x h 80 cm
Volume 0,2 m³



SGC 17

Litter Bin
Waste Units

Size 42 x 35 x h 90 cm
Volume 0,2 m³



SGC 21

Litter Bin
Waste Units

Size 20 x 20 x h 40 cm
Volume 0,1 m³



SGC 18

Litter Bin
Waste Units

Size 26 x 44 x h 105 cm
Volume 0,2 m³



SGC 22

Litter Bin
Waste Units

Size 30 x h 65 cm
Volume 0,059 m³



SGC 19

Litter Bin
Waste Units

Size 130 x 50 x h 75 cm
Volume 0,5 m³



SGC 23

Litter Bin
Waste Units

Size 22 x h 72 cm
Volume 0,035 m³



SGC 20

Litter Bin
Waste Units

Size 72 x 30 x h 80 cm
Volume 0,2 m³



SGC 24

Litter Bin
Waste Units

Size 25 x 25 x h 78 cm
Volume 0,5 m³

fitness

outdoor





SF 01
WAIST STRECHING



SF 02
CYCLE AND STEP



SF 03
GALLOWS / PULLING



SF 04
LEG STRETCHING



SF 05 ARM STRETCHING



LEG PUSHING **SF 06**



SF 07
INNER & OUTER LEG STRENGTHENING



SF 08
WAIST AND STOMACH EXERCISES



SF 09
TWIN WALKING



SF 10
SINGLE WALKING



SF 11-COMBINE



SFC-301



SFC-302



SFC-303



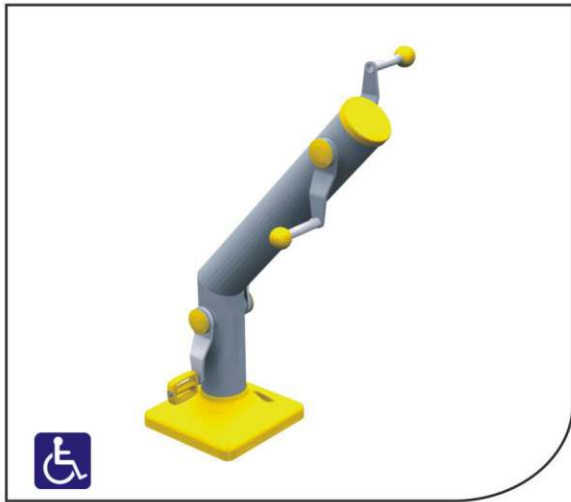
SFC-304



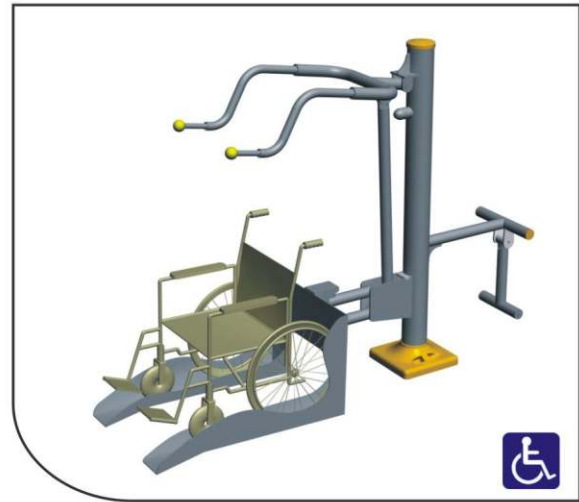
SFC-305



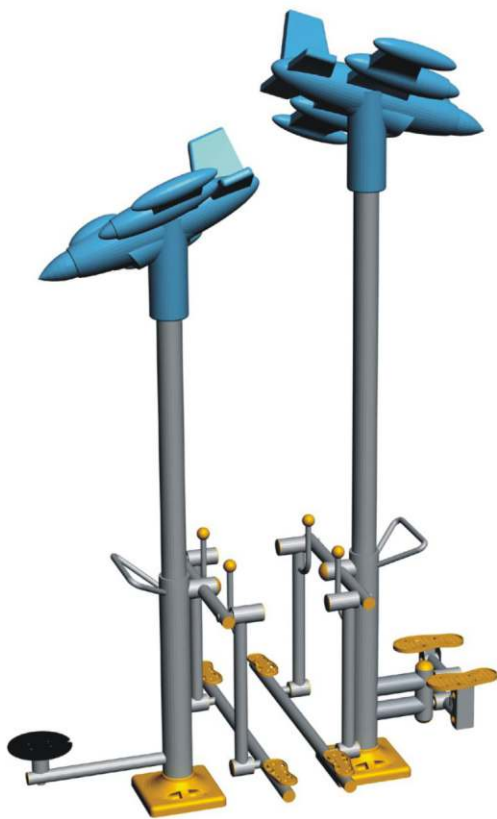
SFC-306



SFC-307



SFC-309



SFC-311 - FOR CHILDREN





SFC-312
For Children



SFC-313
For Children

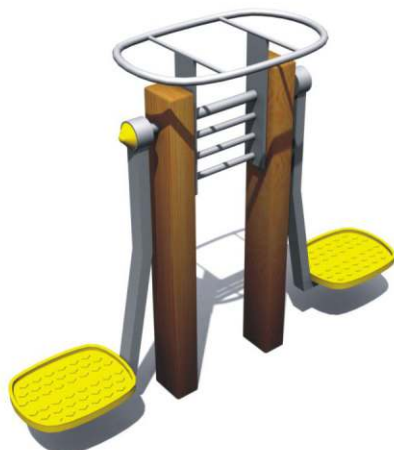


SFC-314
For Children



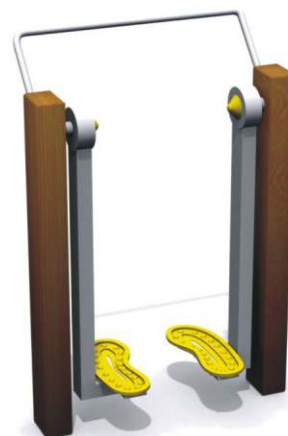
SFC-315
For Children





FW 11

WOODEN FITNESS



FW 12



FW 13

WOODEN FITNESS



FW 14



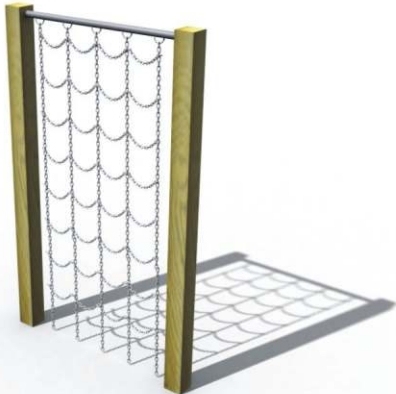
FW 01

WOODEN FITNESS



FW 02

WOODEN FITNESS FOR OUTDOOR

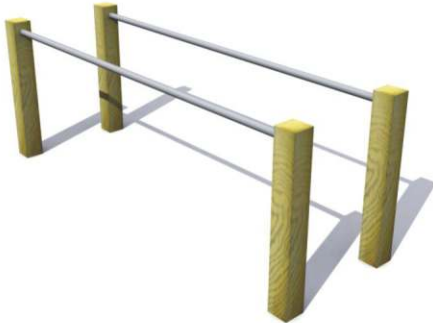


FW 03

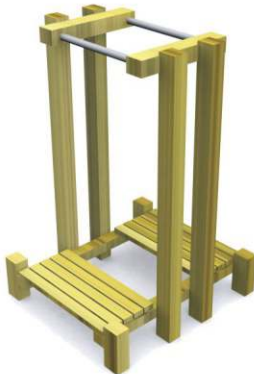


FW 04

WOODEN FITNESS



FW 05



FW 06

WOODEN FITNESS



FW 07



FW 08

WOODEN FITNESS



FW 09



FW 10

WOODEN FITNESS



AK

CAROUSEL

Size R2 m - h1.2 m
 Required area 4 m²
 Weight 180kg
 Volume 3,2 m³



AK-02
 CAROUSEL



BOSET

Indoor & Outdoor

Size 160cm - 320cm - 170cm
 Required area 6 m²
 Weight 235 kg
 Volume 1.5 m³

DP1

TURNING PLATFORM

Size R2 m - h1.2 m
 Required area 4 m²
 Weight 100 kg
 Volume 3,2 m³

DP2

TURNING PLATFORM

Size R1.2 m - h1.2 m
 Required area 3 m²
 Weight 120 kg
 Volume 2.7 m³

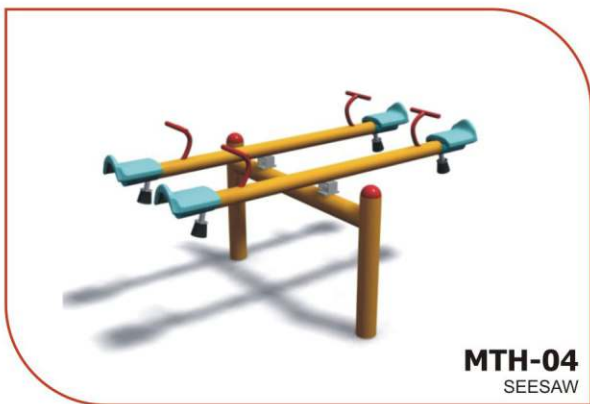




GO
SWING



TRM-304
CLIMBING WALL



MTH-04
SEESAW



TRM-301
CLIMBING WALL



MTH-02
SEESAW



TRM-302
CLIMBING FRAME



SL-02
SWING



SL-02-N
SWING



ZP 01

Spring Riders
Dino

Size. 160x58xh117cm



ZP 02

Spring Riders
Hippopotamus

Size. 140x43xh78cm



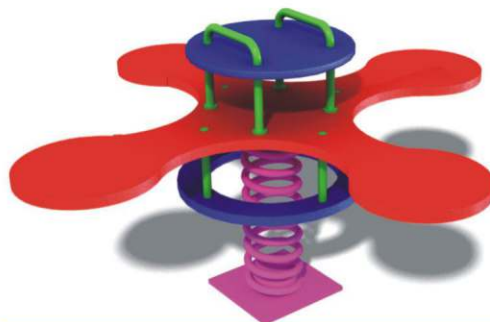
ZP 03

Spring Riders
Rabbit



ZP 04

Spring Riders
Motorbike



ZP 05

Springy Toy
For 4 child

Size. 130x130xh75cm

ZP 06

Spring Riders
Horse
Size. 85x42xh83cm

**ZP 07**

Spring Riders
Car
Size. 80x42xh68cm

**ZP 08**

Spring Riders
Duck
Size. 65x42xh80cm

**ZP 09**

Spring Riders
Duck
Size. 72x40xh90cm

**ZP 10**

Springy Toy
Frog
Size. 60x42xh80cm





D 01

BUS STOP - Policarbon
City Furniture

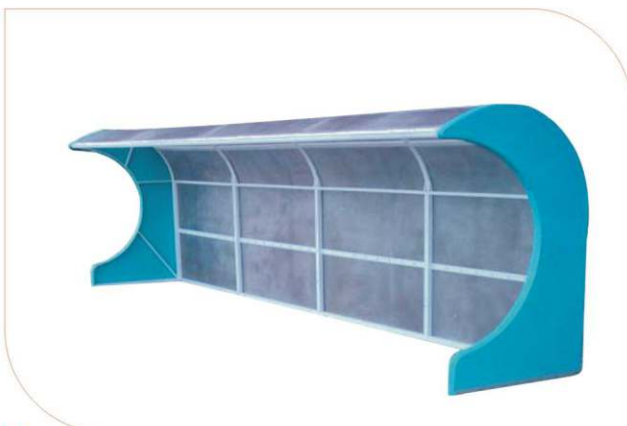
Size 3 m - 1.2 m



D 02

BUS STOP - Fiberglass
City Furniture

Size 3 m - 1.2 m



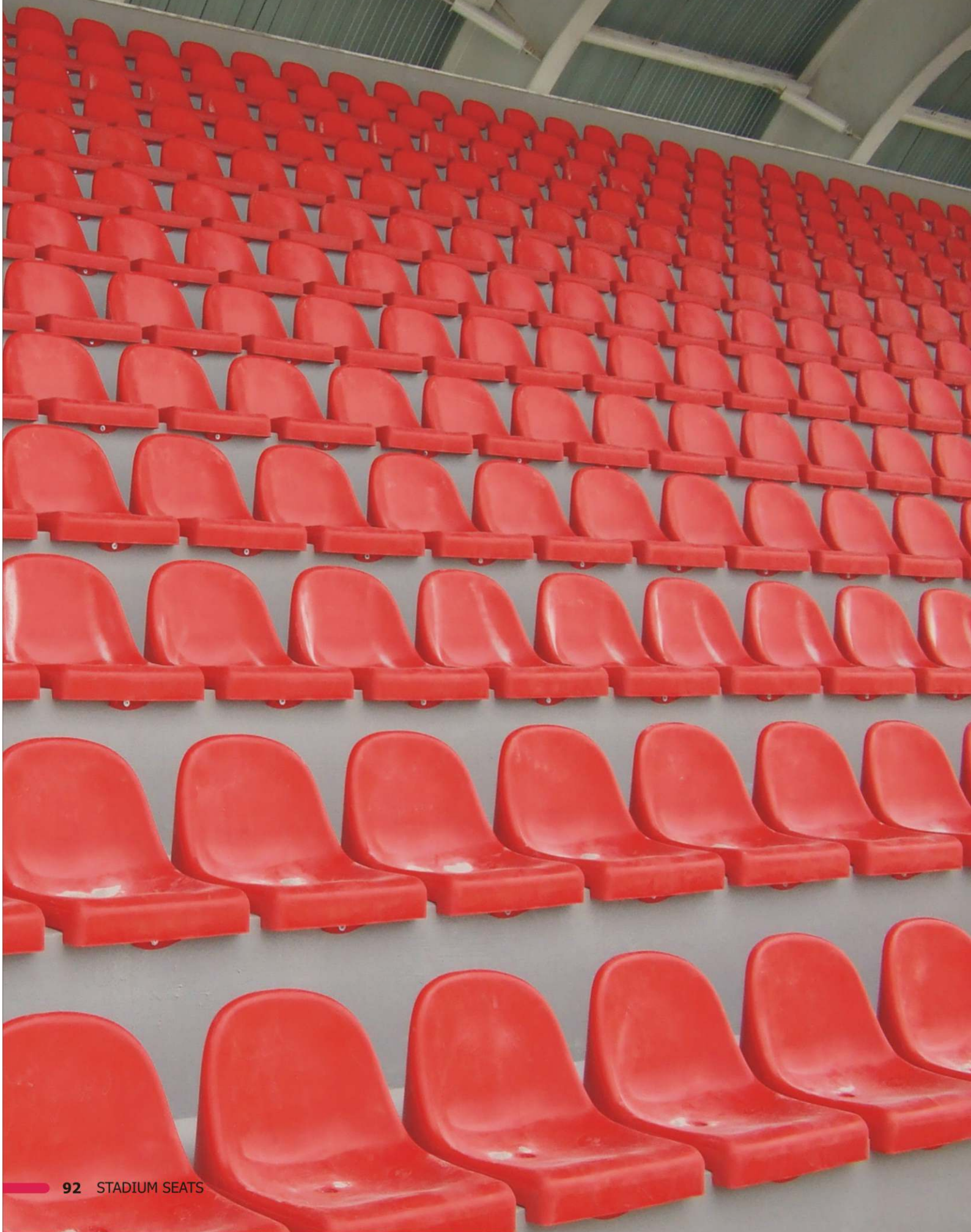
YSBK

Waiting Cabin
for sportsman

Size 5.6 m-1.2 m-h1.75m

STANDARD SEATS

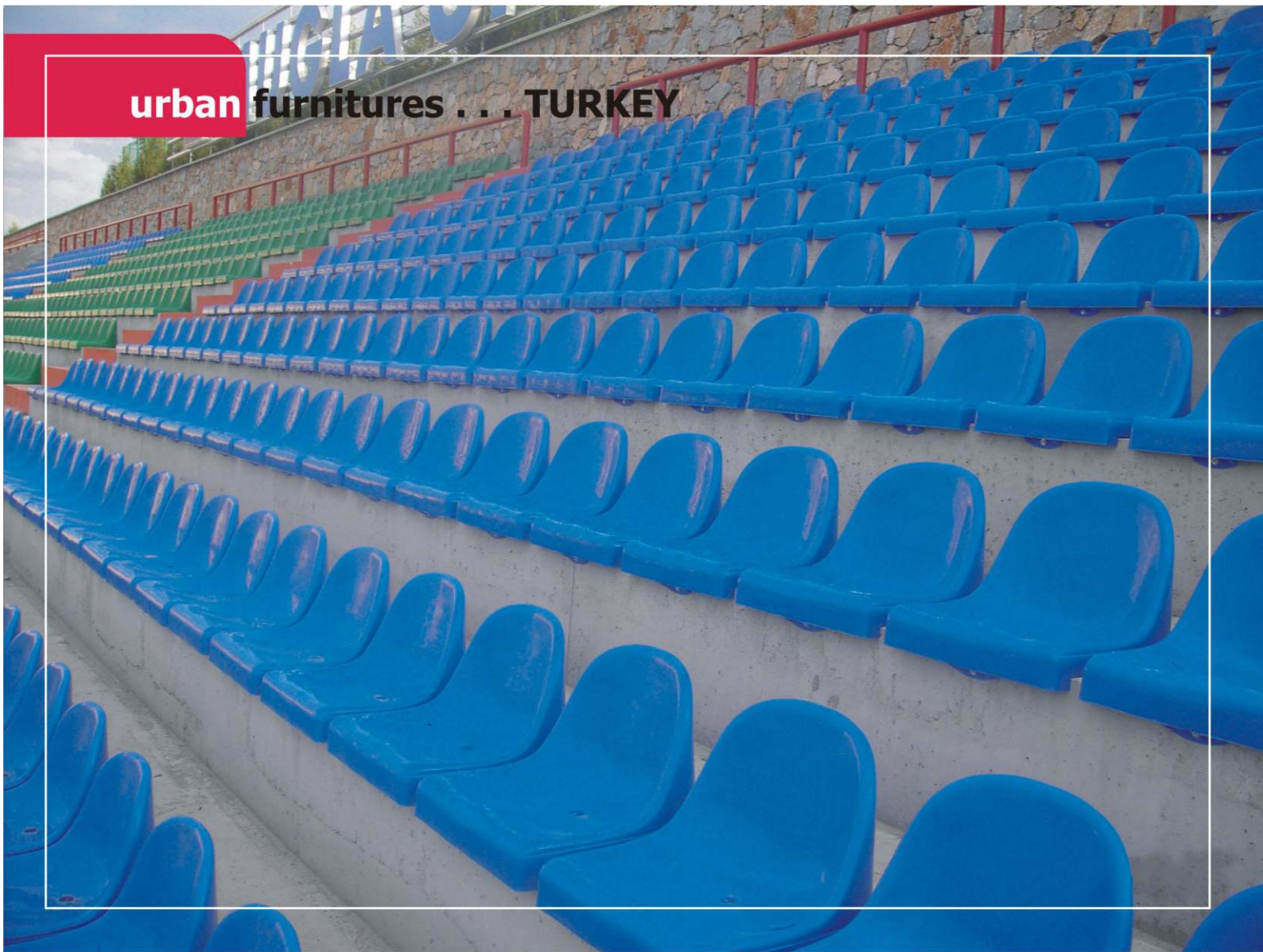
STADIUM SEATS . . . TURKEY





STADIUM

SEATS
SHS 666



SHS 666

STADIUM & TRIBUNE
SEATS

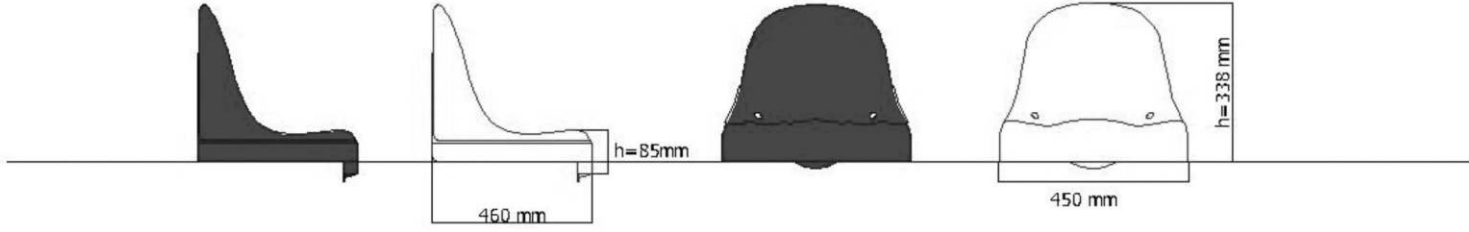
Size 45cm-46cm-34cm
Weight 1.8 kg



STADIUM
SEATS

SAĞ GÖRÜNÜM
RIGHT VIEW

ÖN GÖRÜNÜM
FRONT VIEW








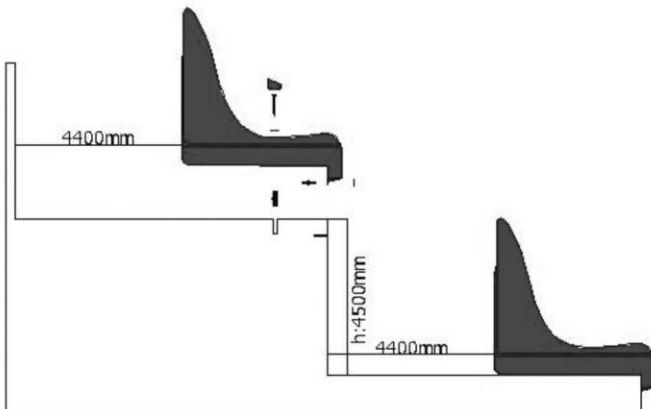
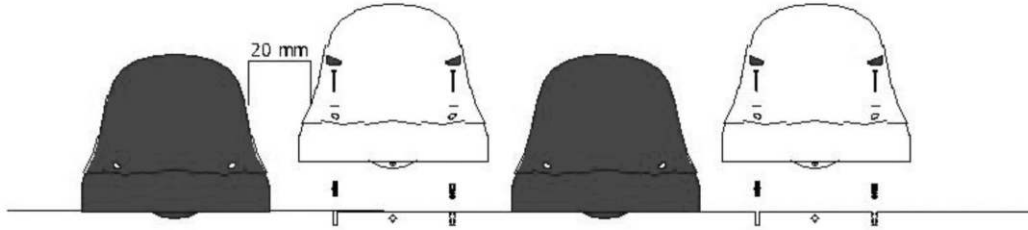
ALT GÖRÜNÜM
BOTTOM VIEW

ARKA GÖRÜNÜM
BACK VIEW



INSTALLATION COMPONENTS

						
M6 ÜST BAĞLANTI VİDASI UP INSTALLATION BOLT	M6 SOMUN NUT	M5 ÖN BAĞLANTI VİDASI FRONT INSTALLATION BOLT	M5 SOMUN NUT	ÜST BAĞLANTI DÜBELİ UPPER INSTALLATION PLUG	ÖN BAĞLANTI DÜBELİ FRONT INSTALLATION PLUG	VİDA TAPASI CORK OF BOLT



CODE SH5 666 BACKREST STADIUM SEAT

STADIUM SEATS . . . TURKEY





STADIUM

SEATS - SHS 669

STADIUM SEATS ... TURKEY



Halkalı - İstanbul

SHS 669

Without backrest seat

Size	41cm-37cm-9cm
Weight	1,3 kg
Volume	0,01 m ³



STADIUM
SEATS



Erciyes University - Kayseri



Başkent University - Ankara

STADIUM SEATS . . . TURKEY



STADIUM

SEATS

SHS 680K



STADIUM SEATS . . . TURKEY



Hippodrome - Ankara

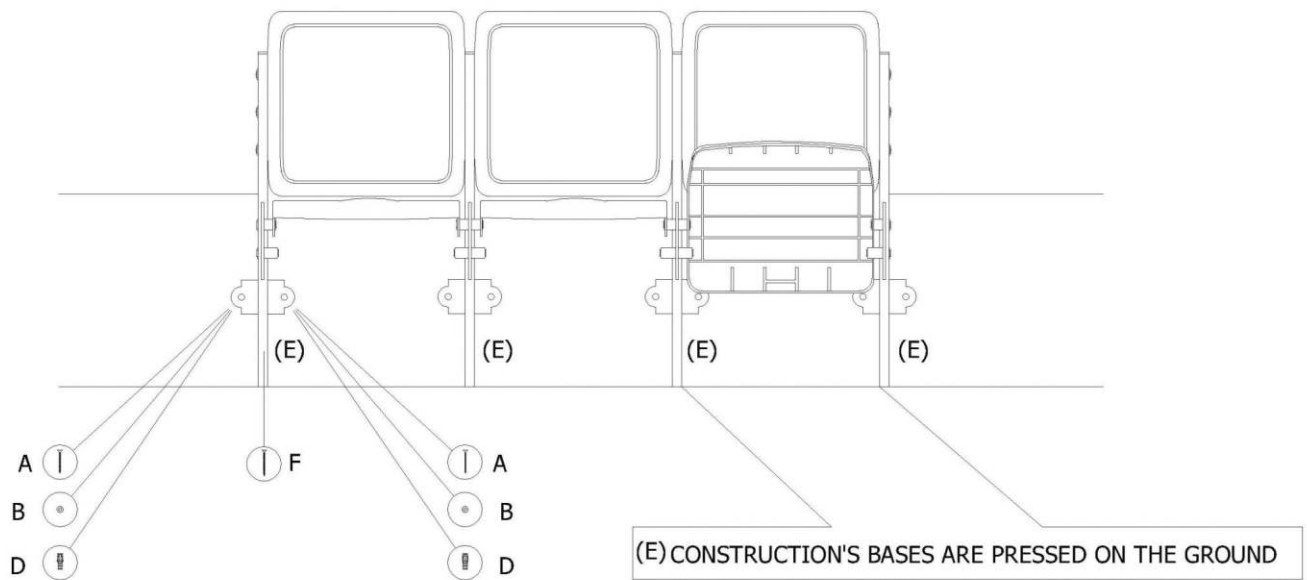
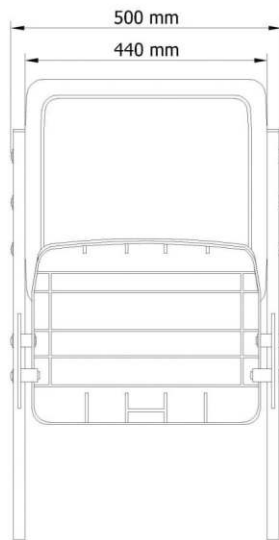
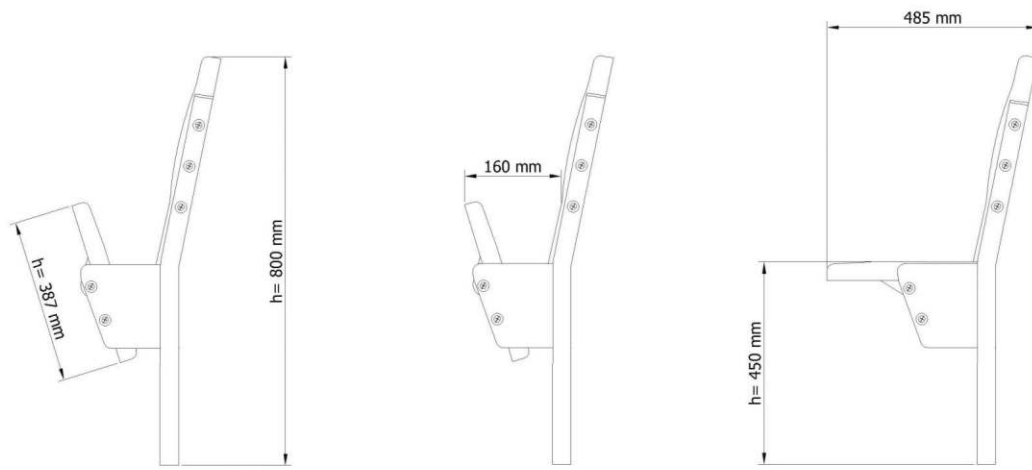


SHS 680K

FOLDABLE SEAT
WITH ARMREST
PROTOCOL & V.I.P

Size 48cm-50cm-80cm





STADIUM SEATS . . . TURKEY



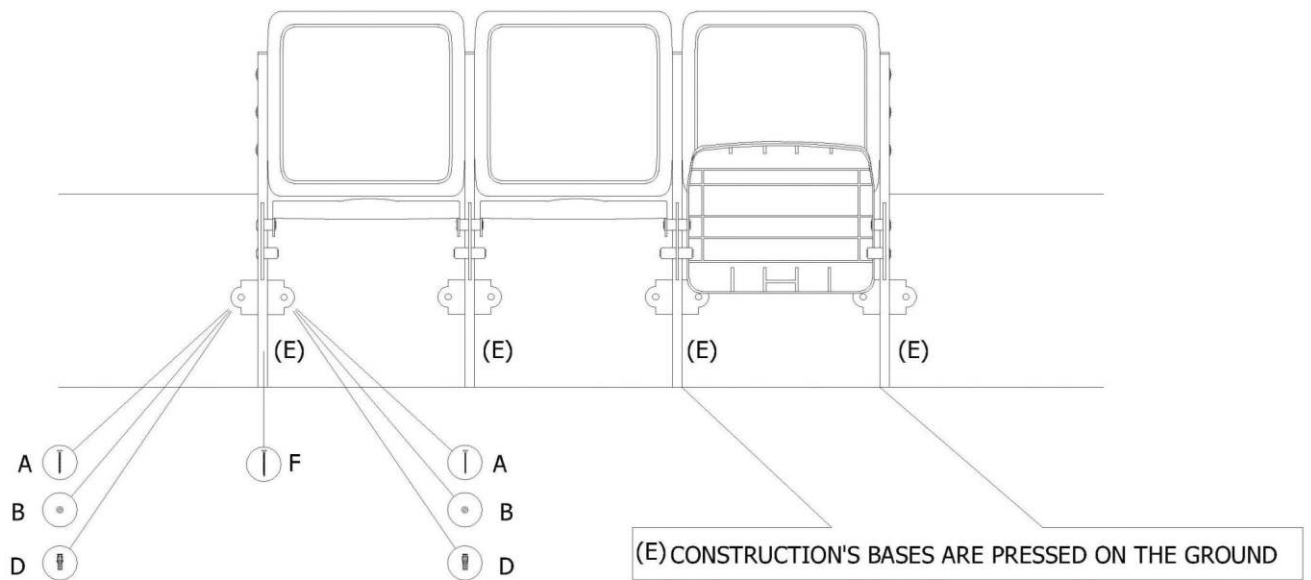
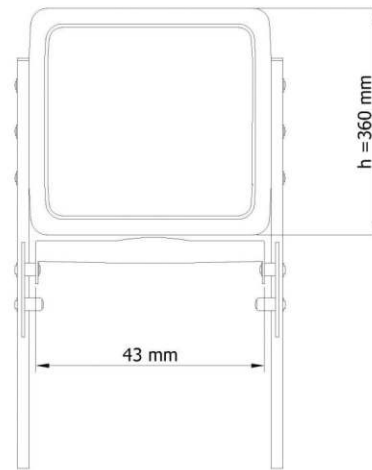
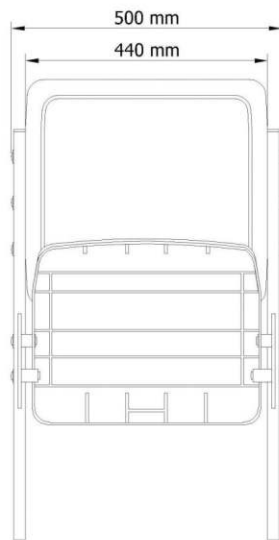
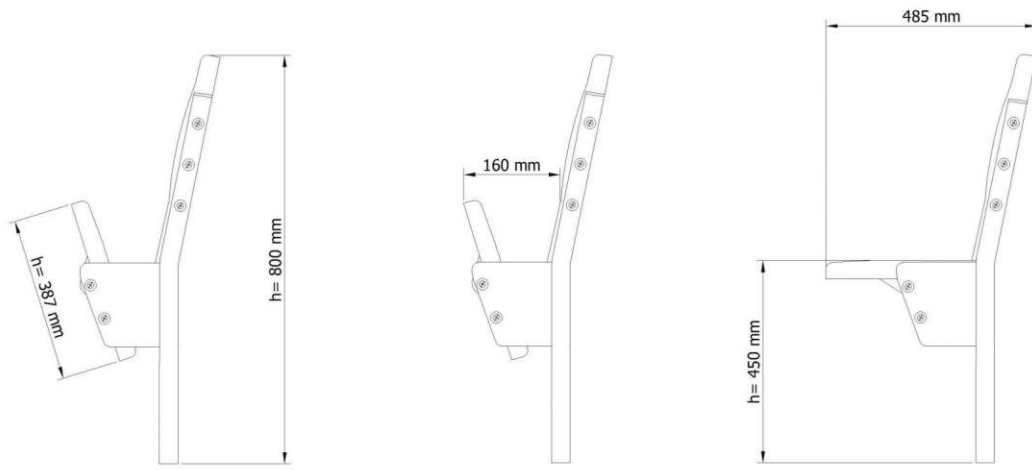
SHS 680

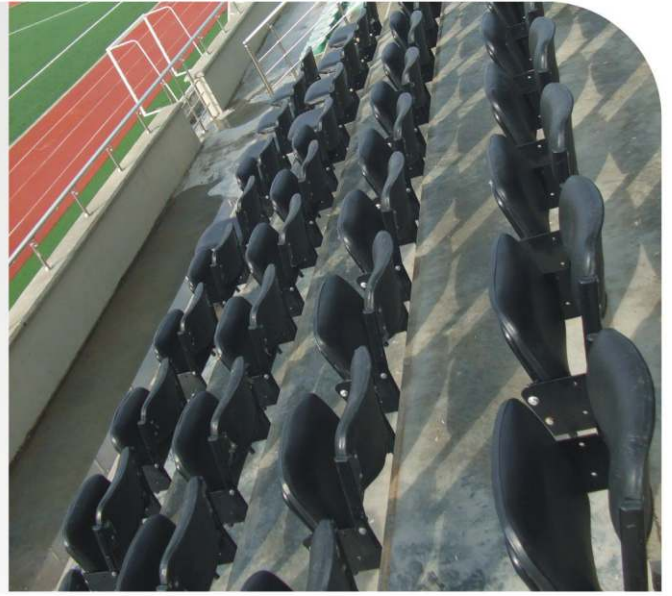
FOLDABLE SEAT
WITHOUT ARMREST
PROTOCOL

Size 48cm-50cm-80cm



STADIUM
SEATS





SHS 777

FOLDABLE SEAT
WITHOUT ARMREST
PROTOCOL



SHS 800

FOLDABLE SEAT
WITHOUT ARMREST
PROTOCOL

STADIUM
SEATS



SHS 777K

FOLDABLE SEAT
WITH WRITING TABLE

In Turkey, the first company manufacturing stadium seat and taking the lead in the forming of the standards is Soylu Group. All the stadium seats are manufactured within our company. For the manufacture of the plastic seats copolymer and polipropilen raw materials are used. Certainly, any recycled scrap materials are never used for our manufactures. For coloring, UV rays - resistant masterbeach paints are used. Also our products are concussion - resistant and has anti-static feature. We have lots of alternatives for our seats besides standard with back, without back, foldable, protocol, press, and so on.

Our company successfully realized many stadium and tribune montage both inland and abroad. We have cloth, leather or vilinex covered alternatives of our products manufactured for the protocol and pressman. Also, you can make choices for your orders as fixed, with armrest or without armrest.



SHS 778

FOLDABLE SEAT
WITH ARMREST
PROTOCOL

DECORATION PONDS

The sound of water hasn't lost its indispensability despite the passing ages. And we are keeping on offering you the pleasure of pool, which comes from past up to now and almost becomes tradition, in your house, office, balcony, garden, terrace and anywhere you like. While you are decorating your site, a decoration pond that you'll add to your designs is going to give a completely different touch and deepness to your projects and designs. The only think you need to do is choosing the pond you like and putting it its place. Since the pond is very light and removable, it becomes ready for use in a few minutes. As the ponds do not require any montage, you can start up your own pond. There is no need for water or electric system. There are not any expenses except for the water you'll add into the pond. It uses the same water. When you use your pond indoors you'll be less affected by the harmful factors like smoke of cigarette, dust, polluted air, it helps cleaning and softening the air. If you have a project, if you are making environmental arranging, if you are decorating your site, surely pay a visit to us. Our company will keep on offering the best to our valuable customers with the easiest in use, the most economical, the safest and the most decorative ponds.

garden furniture

DECORATION PONDS

DECORATION PONDS . . . TURKEY



-  150 cm
-  170 cm x 170 cm
-  20 kg

SHS 021 N

DECORATION
PONDS

SHS 113

-  230 cm
-  170 cm
-  70 kg





SK 9604

- 130 cm 
- 230 cm 
- 16 kg 

HISTORICAL PLACES OF TURKEY



SUMELA



ASPENDOS



NEVŞEHİR



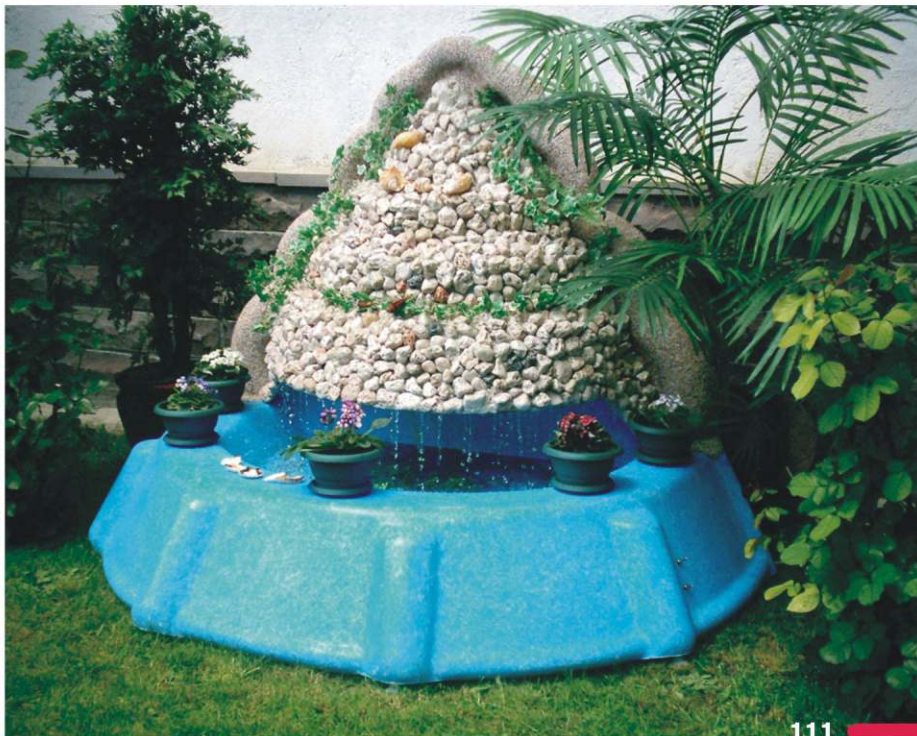
PAMUKKALE



AMASYA HOUSES

SHS 035B

- 135 cm 
- 180 cm 
- 20 kg 



DECORATION PONDS IN TURKEY



130 cm



170 cm



15 kg



SK 9605

SHS 025



200 cm



135 cm



20 kg

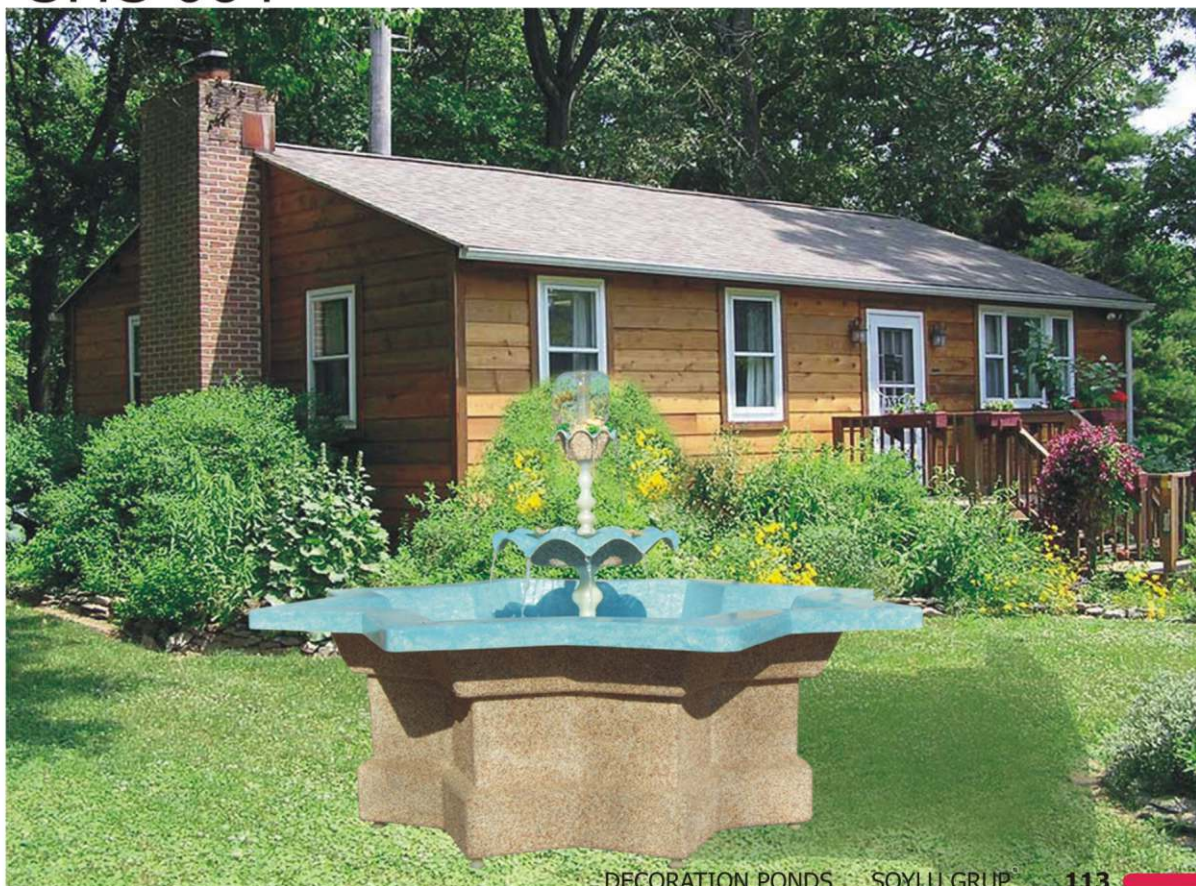


garden furniture

SHS 031

- 150 cm 
- 150 cm x 150 cm 
- 15 kg 

SHS 034



- 135 cm 
- 195 cm x 195 cm 
- 20 kg 

DECORATION PONDS . . . TURKEY



150 cm



150 cm x 290 cm



40 kg

SHS 020

SK 9601

200 cm



240 cm



40 kg



DECORATION

PONDS

garden furniture



- 115 cm 
- 75 cm 
- 10 kg 

SHS 035

SHS 028



- 100 cm 
- 100 cm 
- 10 kg 

DECORATION PONDS . . . TURKEY



110 cm



100 cm x 100 cm



10 kg

SHS 023B





NOTHING BUT
DECORATIVE
PONDS

DECORATION PONDS . . . TURKEY



110 cm



100 cm X 100 cm



10 kg

SHS 023K

SHS 060

80 cm



110 cm



6 kg



DECORATION

PONDS

garden furniture



70 cm



85 cm x 120 cm



8 kg



SHS 040

SHS 032



100 cm



125 cm x 125 cm



10 kg



DECORATION PONDS . . . TURKEY



78 cm



90 cm



6 kg

SHS 029

SHS 036



125 cm



90 cm



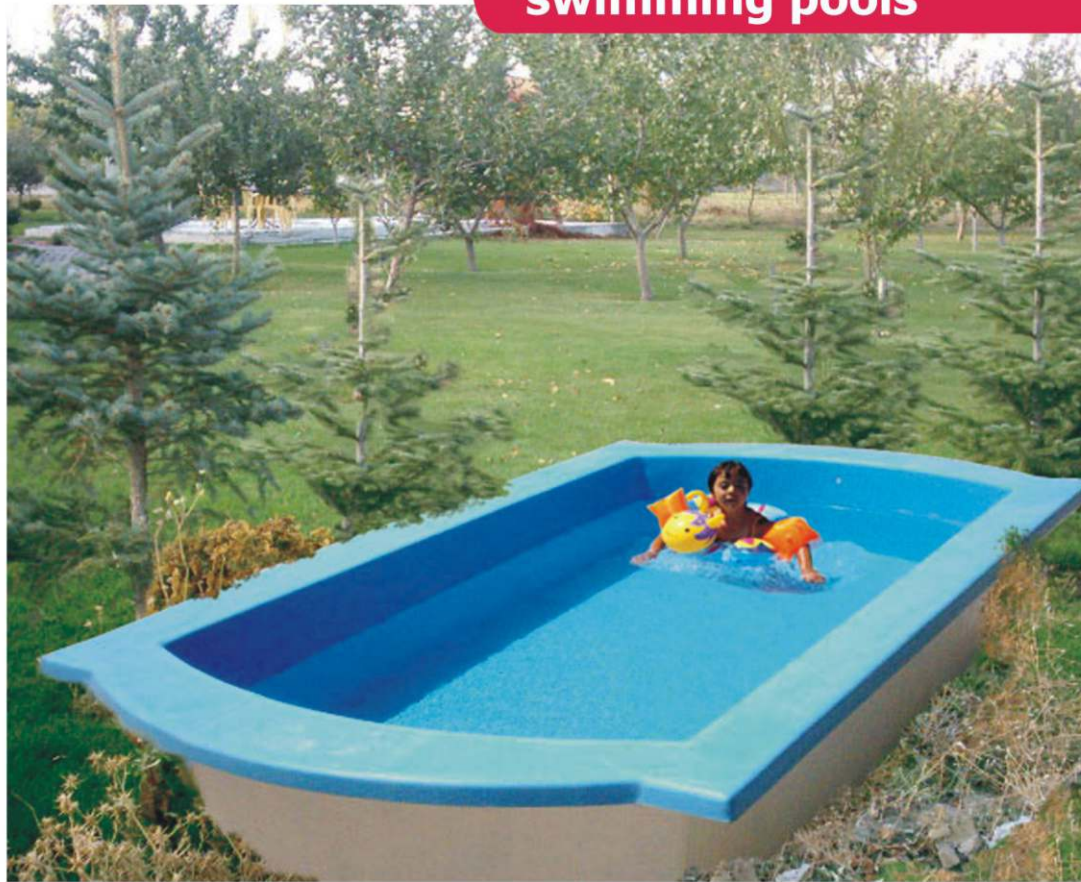
15 kg

DECORATION

PONDS

swimming pools

- 90 cm 
- 2.4 m x 4.5 m 
- 230 kg 



SHS 1000 PORTABLE SWIMMING POOL

SHS 950 PORTABLE SWIMMING POOL



- 410 cm 
- 120 cm 
- 250 kg 







SOYLU®







KAYSERİ



Emirgan - İSTANBUL





sample pictures . . .





sample pictures . . .





Background

EQUIPMENTS

URBAN FURNITURES

FACTORY - ANKARA - TURKEY
İstasyon Mah. No. 20 (06850)
Hasanođlan - ANKARA / TURKEY
Tel. +90 (312) 866 12 76 / +90 (312) 866 25 78
Faks. +90 (312) 866 31 56

SHOWROOM - ANKARA - TURKEY
Ankara - Samsun main way
30.km. Hasanođlan - Elmadađ - ANKARA
Tel. +90 533 959 92 99

Dealer